



Installation Requirements Models 2602/2603 (page 1 of 2)

Due to continuing product improvements, Heartland Appliances reserves the right to amend specifications without notice. Please contact Heartland for the most up to date information, as it applies to product being purchased, or download latest Site Preparation Specifications from www.heartlandapp.com.



Help Desk
877-650-5775



SWEETHEART WOOD STOVE REQUIREMENTS

How-to Steps

Note: Information herein is for recommendation purposes only. All clearances are subject to local, Provincial or State building and fire codes. Clearances may change without notice. Always consult with local building inspector. Improperly installed and/or maintained stoves may result in a house fire.

Appliance Clearances (see Page 2 for additional details):

- Left side of stove and/or nickel trim to adjacent combustible surfaces: 24" (61 cm)
- Right side of stove and/or nickel trim to adjacent combustible surfaces: 10" (25 cm). Distance measured to outer edge of either towel rack (model 1902) or water reservoir (model 1903) accordingly.
- Rear clearance to combustible wall: 27" (68 cm).
- Rear clearance to back of stove top: 25" (64 cm)
Note: stove top overhangs back of stove by 2" (5 cm).
- Minimum clearance to combustible ceiling: 52" (132 cm)
- Corner clearance to combustible wall: 26" (66 cm).
- Centerline of 6" exhaust pipe to combustible back wall: 24" (61 cm). Note: clearance may be affected by stove pipe manufacturer's recommendations.



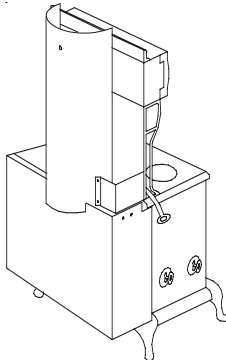
Combustible Walls:

- Please contact your local building inspector for confirmation of what construction materials are considered "combustible" or "non-combustible" in your particular application. Combustible materials include, but not limited to, doors, trim, furniture, drapes, newspapers, wood piles and clothes.

Warning For methods to reduce clearances to combustibles refer to: CAN: CAN3-B365-M84; US: NFPA Standard 211

Heat Shield Installation - Optional Kit # - reduces clearances required to combustible walls (see page 2 of 2 for details)

- Rear clearance to combustible wall: 18" (46 cm).
- Rear clearance to back of stove top: 16" (41 cm)
Note: stove top overhangs back of stove by 2" (5 cm).
- Centerline of 6" exhaust pipe to combustible back wall: 12" (31 cm). Note: clearance may be affected by stove pipe manufacturer's recommendations.



Floor Protection - combustible floor:

- Continuous noncombustible floor protector pad or Hearth is required under the stove (i.e. floor tiles with grouting between them or metal pads are acceptable).

Safety

- Hearth or pad extension from front of stove: 18" (45 cm)
- Hearth/pad extension from sides & back of stove: 8" (20 cm).
- Hearth extension may be fabricated from non-combustible materials: 1/2" (13 mm) thick minimum with thermal conductivity factor "K" of 0.43 or lower (units of K = btu/ft/h/F/in).
- To determine thickness of equivalent material required use formula: $(\text{"K"} \times 0.5) / 0.43 = \text{thickness required}$ ("K" value can be obtained from manufacturer of floor material).



STOVE PIPE & CHIMNEY REQUIREMENTS

How-to Steps

Note: Information herein is for recommendation purposes only. All clearances are subject to local, Provincial or State building and fire codes. Clearances may change without notice. Always consult with local building inspector. Improperly installed and/or maintained stoves may result in a house fire.

Chimney Stove Pipe Approvals:

- Chimney used to connect smokepipe at the top of the cabinet to maintain the 4" clearance to combustibles must be approved to the following standards:
 - Canada: ULC Standard S629.
 - US: UL 193HT Standard.
- Approved chimney must extend 1" below the heatshield.



Clearance Guidelines:

- Part of planning a safe installation is to be sure that combustible materials located near your stove do not overheat.

Safety

- Clearances specified herein must be adhered to as a minimum. Local building codes may require additional spacing. Please confirm with your local regulations prior to commencing any work.
- Floor or ceiling supports must not be cut due to chimney installation (adjust stove location accordingly to avoid chimney interference with these critical areas).
- Certain States require fresh air supply kits to be installed, contact state or local authorities for specific details prior to installing unit.
- Clearance reductions may be possible using Heartland's Heat Shield Kit. To ensure the appropriate standards are being met, in Canada refer to the Installation Code for Solid Fuel Appliances and Equipment. CAN3-B365-M84; in the U.S. refer to the National Fire Protection Association Standard 211.
- Do not pass stovepipe chimney connector through combustible wall.
- Always use an approved insulated wall/ceiling pass-through (refer to CSA B365 in Canada and NFPA 211 in US).
- Do not use single wall smokepipe as an outside chimney
- Chimney connector should be exposed and accessible for inspection and cleaning (never pass through combustible ceiling)
- Connector must be securely attached to the pipe and chimney. Individual sections must be attached together (in case of chimney fire, chimney connector may vibrate violently)
- Stove not be connected to an air distribution duct.

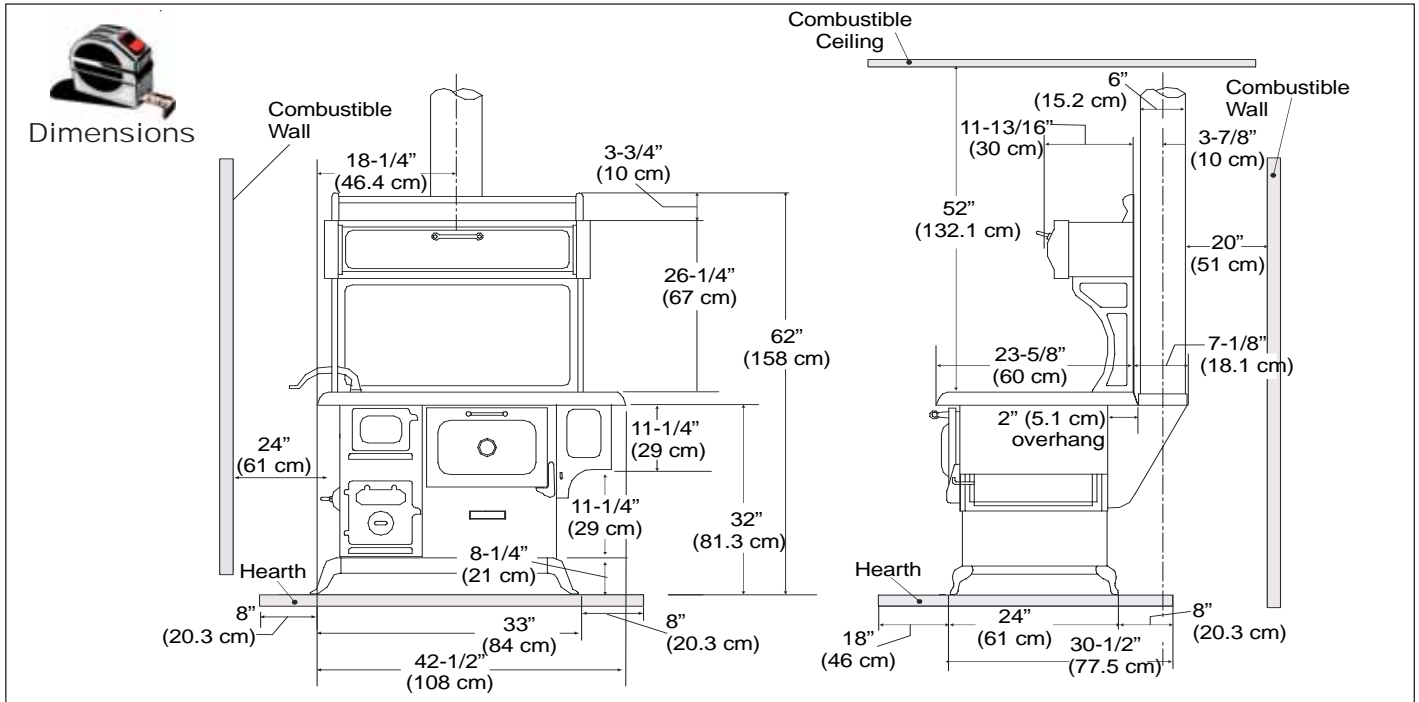


Installation Requirements Models 2602/2603 (page 2 of 2)

Due to continuing product improvements, Heartland Appliances reserves the right to amend specifications without notice. Please contact Heartland for the most up to date information, as it applies to product being purchased, or download latest Site Preparation Specifications from www.heartlandapp.com.



Help Desk
877-650-5775

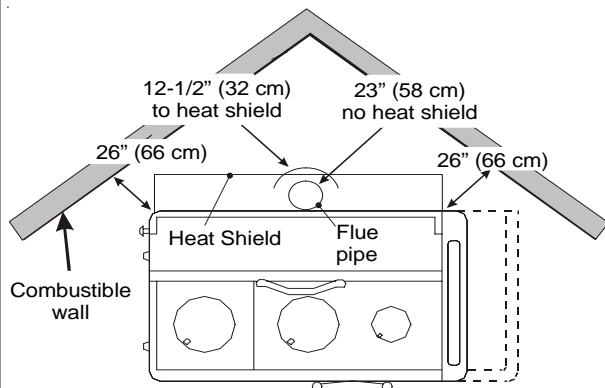


Rough In Measurements

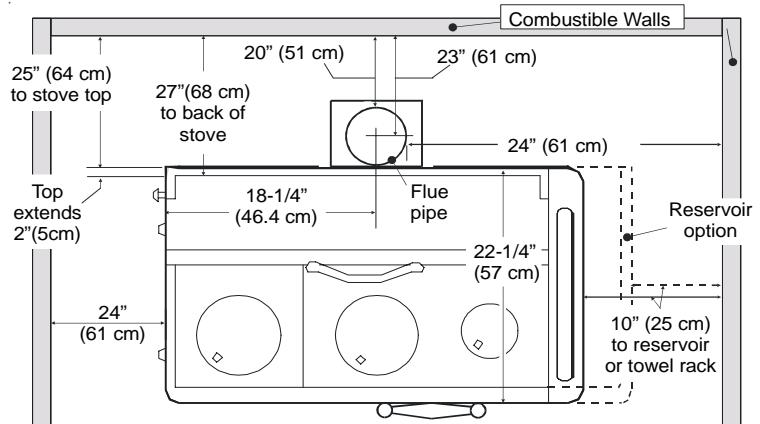
All drawings are for reference only, showing approximate dimensions for rough-in purposes. Do not cut floor or ceiling supports due to chimney installation.

In some installations, due to room orientation etc., two or more clearances to combustible walls may contradict each other, the clearance with the greater numerical value must be maintained.

Corner installation with or without Heat Shield



Installation without Heat Shield



Installation with Heat Shield

