

ZERO CLEARANCE WOOD BURNING

F I R E P L A C E



M o d e l 6 4 0 / Z C 4 0

Installation Instructions & User's Guide



LISTED TO ULC S610-M87 & UL127(May 2001)

Selkirk Canadian Operations

375 Green Road
Stoney Creek, Ontario.
L8E 4A5
www.supervent.ca

1400 California Avenue
Brockville, Ontario.
K6V 5V3
www.selkirkcanada.com

TABLE OF CONTENTS

SAFETY TIPS BEFORE YOU START	3
BASIC INSTRUCTION GUIDELINES FOR FIREPLACE AND CHIMNEY INSTALLATION	3
IMPORTANT INSTALLATION PRECAUTIONS	3
FIREPLACE LOCATION	4
FIREPLACE AND HEARTH EXTENSION INSTALLATION	4
CHIMNEY FRAMING DETAILS	5
CHIMNEY INSTALLATION INSTRUCTIONS	5
RADIATION / DUST SHIELD	5
MODELS SUPERCHIMNEY / SUPERPRO CHIMNEY INSTALLATIONS	6
MODELS SUPERCHIMNEY 2100 / SUPERPRO 2100 CHIMNEY INSTALLATIONS	7
MODEL CF CHIMNEY INSTALLATION	7
MODEL SS PLUS CHIMNEY INSTALLATION	8
ATTIC INSULATION SHIELD / FIRESTOP SPACER	9
FIRESTOP RADIATION SHIELD INSTALLATION	9
RADIATION / DUST SHIELD INSTALLATION	9
CF INTERMEDIATE JOIST SHIELD INSTALLATION	9
ATTIC INSULATION SHIELD INSTALLATION	9
CHASE PLUG INSTALLATION	10
ELBOW INSTALLATION	10
OFFSET SUPPORTS	10
SS INTERIOR RESUPPORT	10
CF ROOF SUPPORT	11
OFFSET SUPPORTS	11
CF INTERIOR SUPPORT / OFFSET SUPPORT	11
CF ROOF SUPPORT	11
CHIMNEY ADAPTER INSTALLATION	11
CF ADAPTER / CHIMNEY INSTALLATION	12
EXTERIOR CHIMNEY INSTALLATION	12
ROOF FLASHING INSTALLATION	13
OUTSIDE AIR KIT INSTALLATION	13
FAN KIT INSTALLATION	14
GAS LINE INSTALLATION	14
ENCLOSING THE FIREPLACE	15
OPERATING AND MAINTENANCE	15
OPERATING THE FIREPLACE	16
DISPOSAL OF ASHES	16
CREOSOTE, FORMATION AND NEED FOR REMOVAL	16
CHIMNEY FIRES, WHAT TO DO IN THE EVENT OF ONE	16
MAINTENANCE OF YOUR GLASS DOORS	16-17
INSTALLATION INSTRUCTIONS:	
- APPENDIX A (OUTSIDE AIR KIT)	18-19
- APPENDIX B (BLOWER KIT)	20
- APPENDIX C (CABINET DOORS)	21
- APPENDIX D (TRIM KIT)	22-23
REPLACEMENT PARTS LIST	24
WARRANTY	25

SAFETY TIPS BEFORE YOU START:

1. Clear the working space to give you freedom of movement during installation. Move furniture, rugs, and pictures that might get in your way. Be sure to clear any insulation that has been placed over the area where the chimney will penetrate the ceiling above the fireplace.
2. Check for electrical wires in and around the intended location of your chimney and make sure that all wires are secured at least two inches away from any chimney parts. Never cut or touch any wires because a fatal shock can result. If a wire must be moved, arrange for a professional electrician to do it for you.
3. Wear gloves while handling metal parts to avoid personal injury. Possible sharp edges of projections can cut you.
4. Have help to install the fireplace and chimney. Avoid back injuries, lift properly.
5. Inspect your ladder for condition. Make certain that all points of the base always rest on a level, firm surface.
6. Make certain that all electricity powered tools which require grounding are properly grounded. Unprotected tools can be hazardous especially when working out-of-doors on damp ground or wet roofs.
7. A 50mm (2") minimum air space clearance must be maintained between the chimney and combustible materials. This means air space only.
8. To eliminate possible hazardous conditions, an adequate supply of air must exist in the room where the fireplace is installed.

BASIC INSTRUCTION GUIDELINES FOR FIREPLACE AND CHIMNEY INSTALLATION:

1. Combustible materials may not be placed on black, front face of the fireplace.
2. Do not obstruct or modify inlet or outlet air circulating grilles as this could cause a hazardous situation.
3. The Fireplace is NOT approved for installation in mobile homes.
4. The chimney cannot be greater than 45 degrees for 1in chimney and 30 degrees for 2in chimney from the vertical plane.
5. The minimum installed distance from the fireplace opening to an adjacent wall is 356mm (14"). See Figure 2.
6. All chimney sections and elbows require a minimum of 50mm (2") air space clearance to combustibles.
7. Locking bands or stainless sheet metal screws, maximum length of 19mm (3/4") should be used on all interior joints. Locking bands must be used on all exterior joints.
8. The first length or elbow located directly on the top of the

Model 640/ZC40 Fireplace must be secured with a minimum of three (3) #6X3/4" stainless sheet metal screws.

9. Firestopping by means of either an Attic Insulation Shield or Radiation/Dust Shield (R/DS) must be provided at all joist levels.
10. Joists should be fully framed at all levels, maintaining the required 50mm (2") minimum air space clearance from the outside of the chimney to the inside of the framing. See Figure 4 for minimum required framing.
11. A rafter radiation shield is required on all roofs joist framing when the chimney is totally enclosed up to the roof (maintaining a 50mm (2") minimum air space).
12. The Insulated chimney must be installed directly on the top of the fireplace by means of an adapter.
13. Maintain a minimum of 4' of clearance space to combustible materials from the front of the fireplace.
14. Supervent's (Model SC, JM, & ALT) and Selkirk's Metalbestos (Model SS, & CF) 6" & 7" Insulated chimneys have been approved for use with the Model 640/ZC40 Fireplace, and must be installed in accordance with the installation instructions provided with the chimney and it's components.
15. The Fireplace may be installed directly upon combustible construction and with clearance "air space" to adjacent combustible construction as established by standoffs.

IMPORTANT INSTALLATION PRECAUTIONS

1. Your fireplace must be installed in accordance with the following installation instructions, and therefore it is strongly advised that all the instructions be read very carefully before proceeding.
2. Prior to starting the installation, contact the local building officials in your area, to determine the need for any necessary building permits, and to ensure that your installation will conform with all federal and municipal building code requirements.

EACH APPLIANCE SHOULD HAVE ITS OWN CHIMNEY. DO NOT CONNECT THIS UNIT TO A CHIMNEY FLUE SERVING ANOTHER

WARNING: DO NOT PLACE ANY INSULATING MATERIALS OR RUN ANY ELECTRICAL WIRING WITHIN THE REQUIRED AIR SPACE CLEARANCES SURROUNDING THE CHIMNEY.

3. In order to eliminate possible hazardous conditions, an adequate supply of air must exist in the room. A fresh air kit is available for your fireplace to ensure an adequate air supply exists.
4. Your Fireplace has been tested and listed using all of the chimney, supports, shields, etc., described in the following installation procedure. Deletion or modification

of any of the required parts or materials may seriously impair the safety of your installation, and void the manufacturers warranty and the conditions of approval.

FIREPLACE LOCATION:

1. Select fireplace location taking into consideration such things as size of room, traffic patterns, location of doors and windows, chimney location, to minimize any offsets, and required clearance to side walls. See Figure 2.
2. Make sure that the chimney will not pass within 50mm (2") of any electrical wiring. Either have a certified electrician move the wiring, offset the chimney, or move the fireplace.
3. Make sure that the chimney will not intersect a structural member when passing through a ceiling, roof or floor. If the chimney is going to intersect a structural member, either offset the chimney, or move the fireplace so the structural integrity of the house will be maintained.
4. When installing the outside air kit, consideration must be taken as to where the outside air duct will be installed.

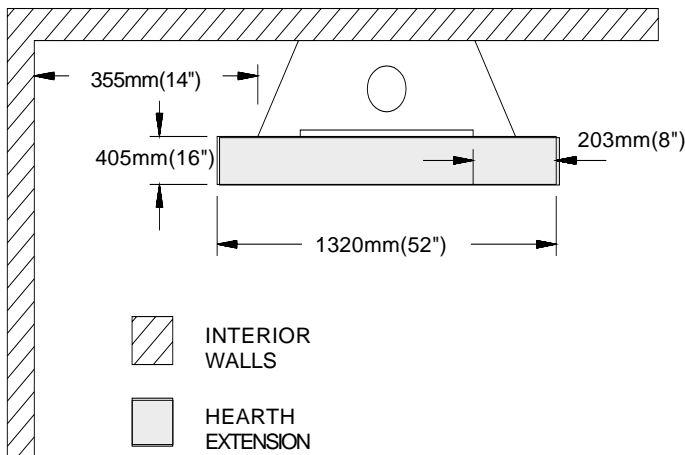


FIGURE 2

FIREPLACE AND HEARTH EXTENSION INSTALLATION

1. Your Fireplace has been designed to be placed directly on a flat combustible floor (ie. plywood). Special support structures may be required where the weight of masonry used on a raised hearth or facing exceeds the floor loading allowed by local building codes.
2. Once the fireplace and chimney installation locations have been chosen, remove any combustible materials such as carpeting or vinyl floors from where the fireplace will be positioned. An area for the hearth extension must also be removed 205mm (8") on both sides of the fireplace opening and 405mm (16") in front of the fireplace. See figure 2.

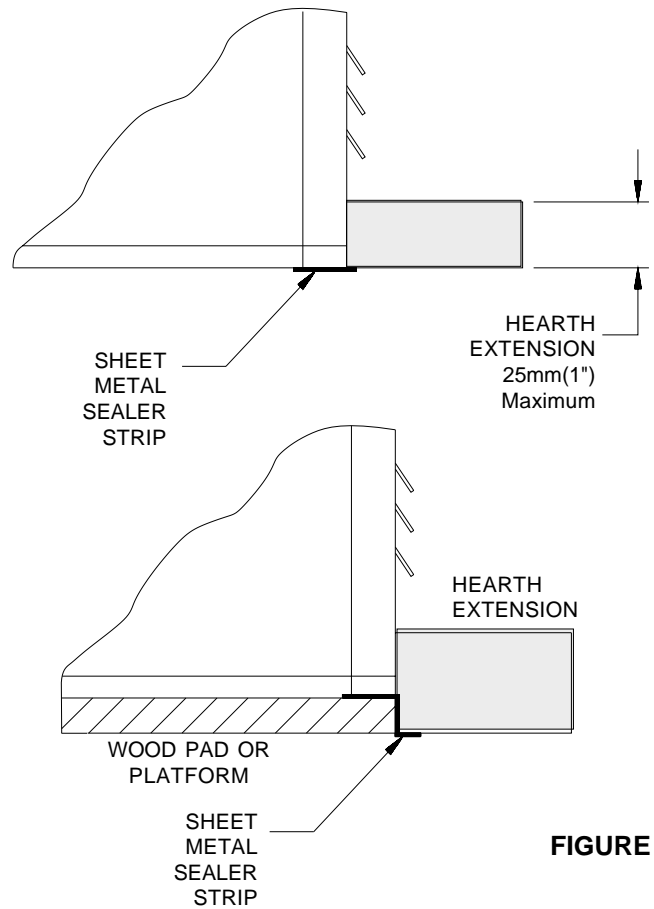


FIGURE 3

3. Clearances to the fireplace on the sides, back and top are established by the standoff spacers incorporated into the unit. If insulation or vapour barriers are exposed, they must be covered with suitable building materials (ie. drywall, plywood) to ensure proper clearances are maintained. Do not fill the spaces around the fireplace with loose fill insulation.
4. The hearth extension can be made of slate, brick, or similar non-combustible material. If the hearth extension to be installed is thicker than 12mm (1/2"), then a continuous wooden pad or platform is required to raise the fireplace to suit the thickness of the hearth extension. If a raised hearth extension is desired, then the whole fireplace again must be raised accordingly.

DO NOT BLOCK THE CIRCULATING AIR INLET OR THE FRESH AIR CONTROL HANDLE.

5. In order to minimize the possibility of a fire caused by hot ashes falling between the hearth extension and the fireplace, a sheet metal sealer strips must be installed and used as per figure 3.
6. Move the fireplace into the planned position, and once in place secure the fireplace to the floor.

CHIMNEY FRAMING DETAILS

1. Plan your chimney installation carefully. Lay out and frame in the required openings, ensuring the specified 50mm(2") clearance to combustibles is maintained. All openings should be square, plumb, and in perfect alignment with each other. See figure 4.

2. For sloping roofs, ensure that the framing dimension is measured in the horizontal plane. See figure 4.

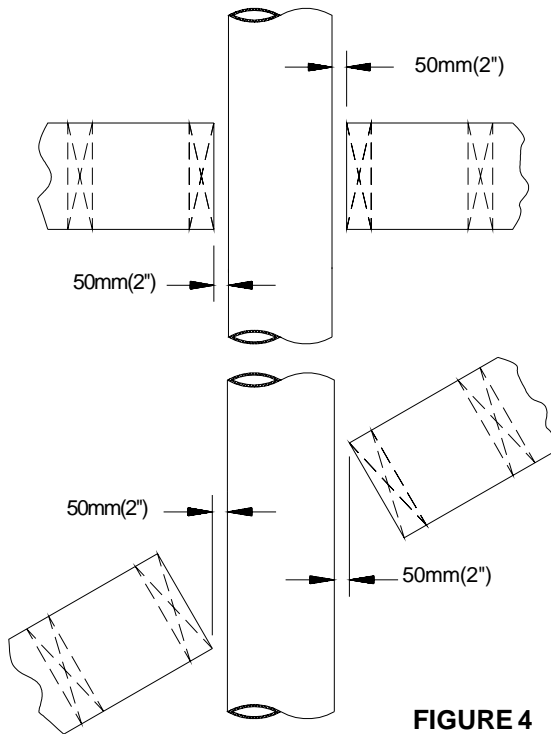


FIGURE 4

MINIMUM CLEARANCE TO COMBUSTIBLES
50mm(2")

CHIMNEY INSTALLATION INSTRUCTIONS

1. The minimum approved system height is 4.3m(14') and the fireplace is designed to support up to 7.6m(25') of vertical chimney. For greater heights additional supports are required at each 7.4m(24').

2. Except for installation in one and two family dwellings, your chimney that extends through any zone above that on which the connected appliance is located, is to be provided with an enclosure having a fire resistance rating equal to or greater than that of the floor or roof assemblies through it passes.

3. Authorities require that the chimney extend not less than 1m (3') above the highest point where it passes through the roof of a building and not less than 609mm (2') above any portion of the building within 10'. See figure 5.

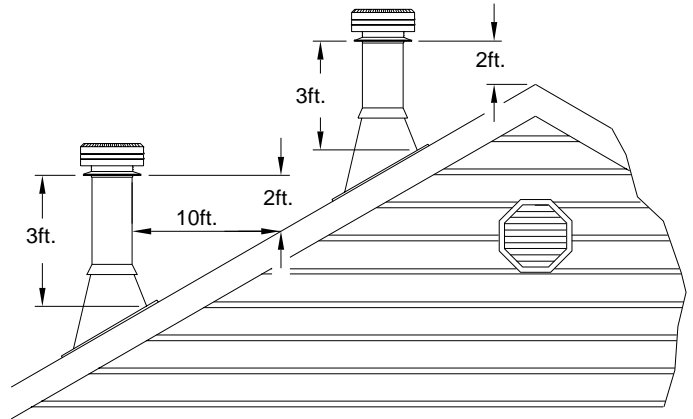


FIGURE 5

5. The use of locking bands or stainless sheet metal screws (#6 x 3/4") should be used on all interior joints. Locking bands must be used on all sections that make up an offset and exterior joints.

6. Figures 6 - 9 shows the four basic types of installations most likely to be encountered when installing a Model 640/ZC40 fireplace system.

RADIATION / DUST SHIELD

All joist areas must be fully framed to accept a Radiation / Dust Shield. The SS Radiation / Dust Shield must be used at all joist levels except an open attic level. Use 1-1/2" nails to attach it to the joists. The shield may be trimmed but must remain 25mm (1") below or above the ceiling.

MODELS SUPERCHIMNEY MAX / SUPERPRO CHIMNEYS

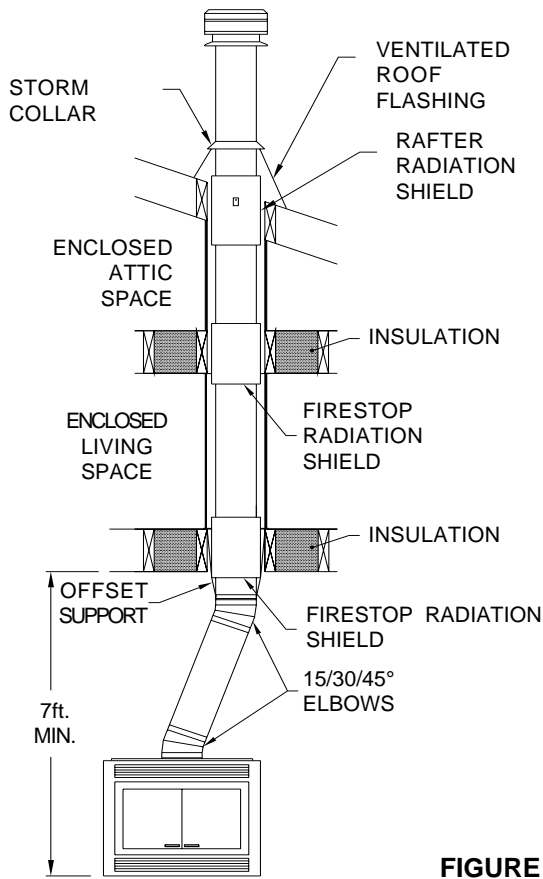


FIGURE 6a

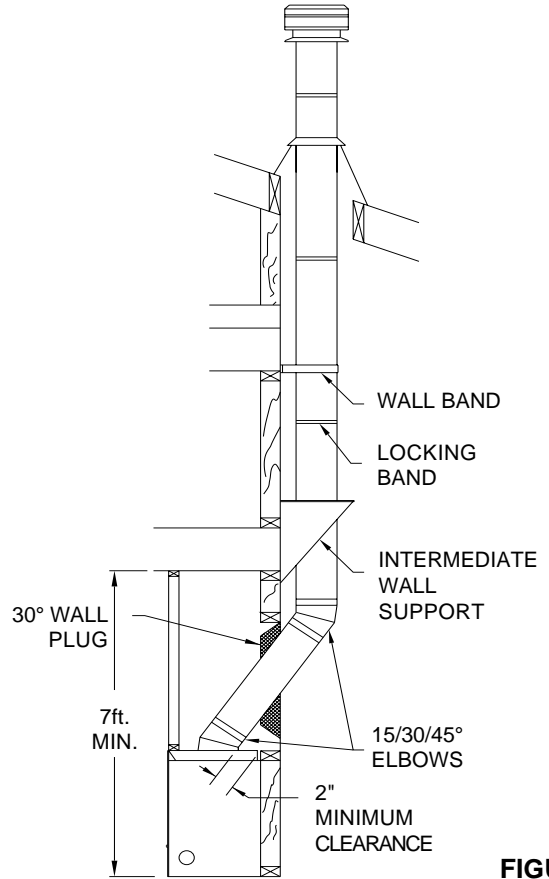


FIGURE 6c

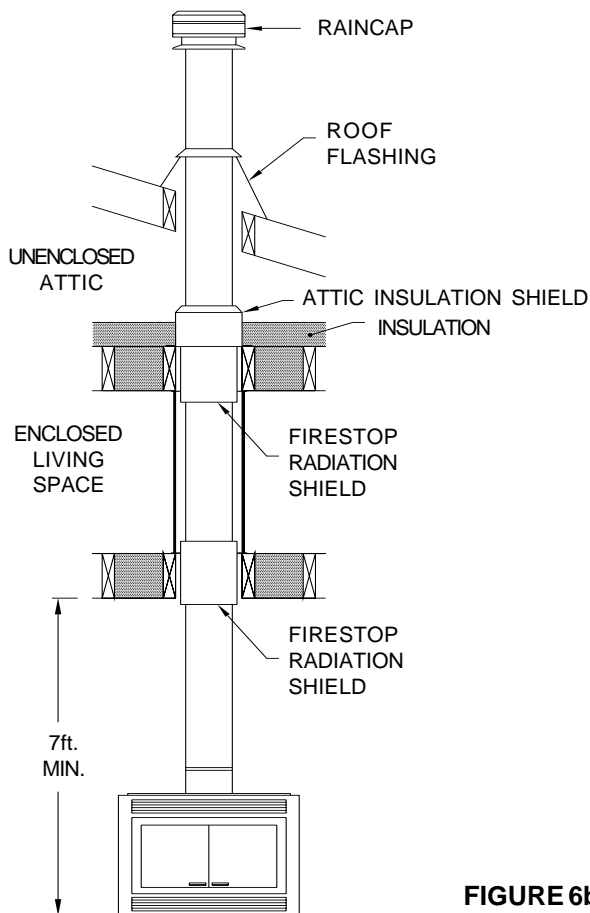


FIGURE 6b

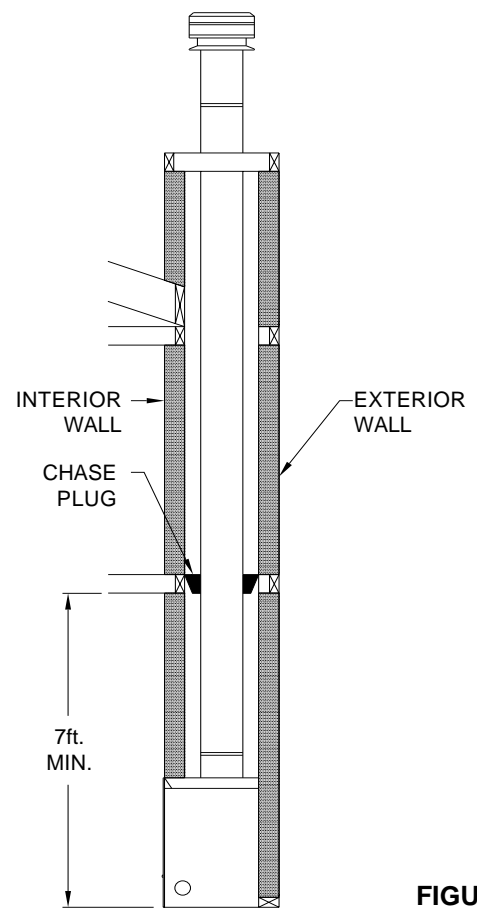


FIGURE 6d

**MODELS SUPERCHIMNEY 2100 MAX
SUPERPRO 2100**

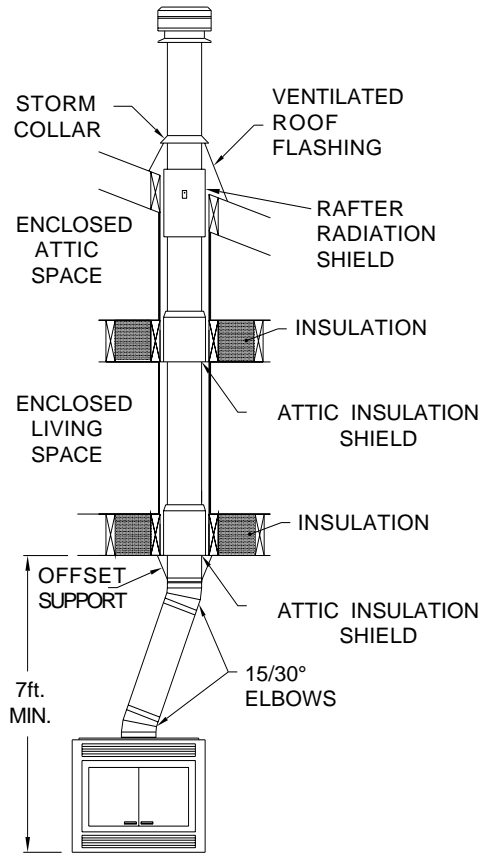


FIGURE 7a

MODEL CF SENTINEL

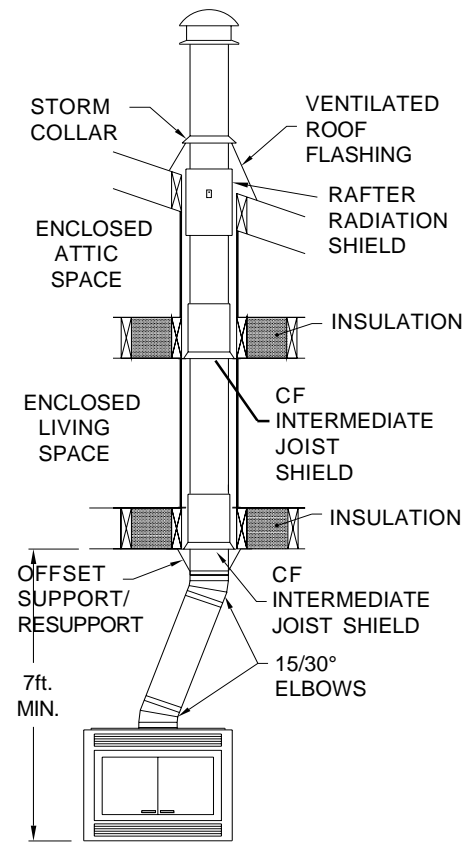


FIGURE 8a

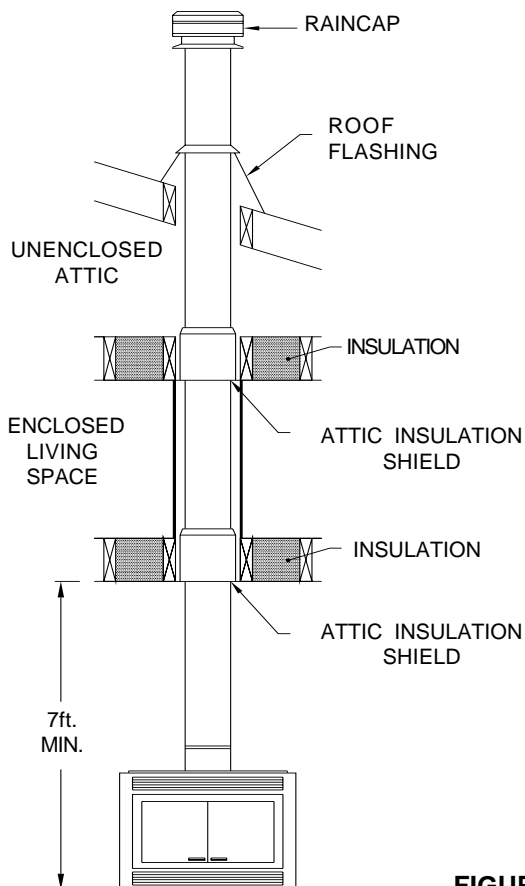


FIGURE 7b

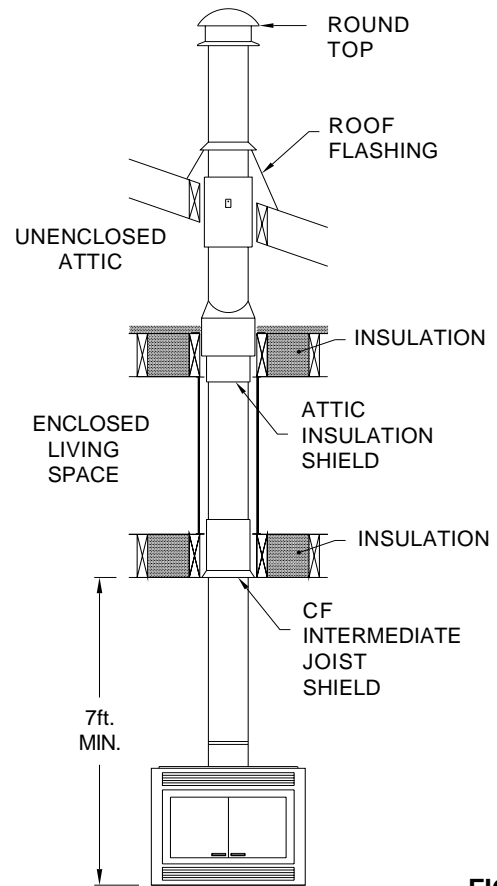


FIGURE 8b

MODEL SS PLUS CHIMNEY

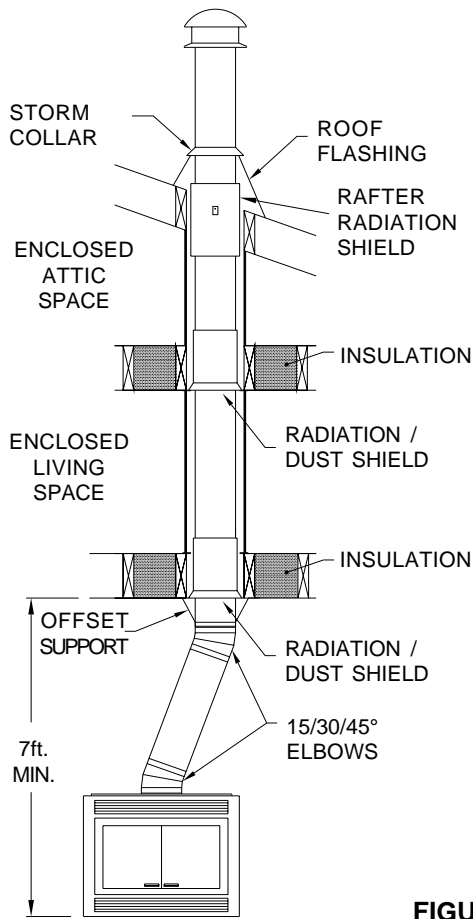


FIGURE 9a

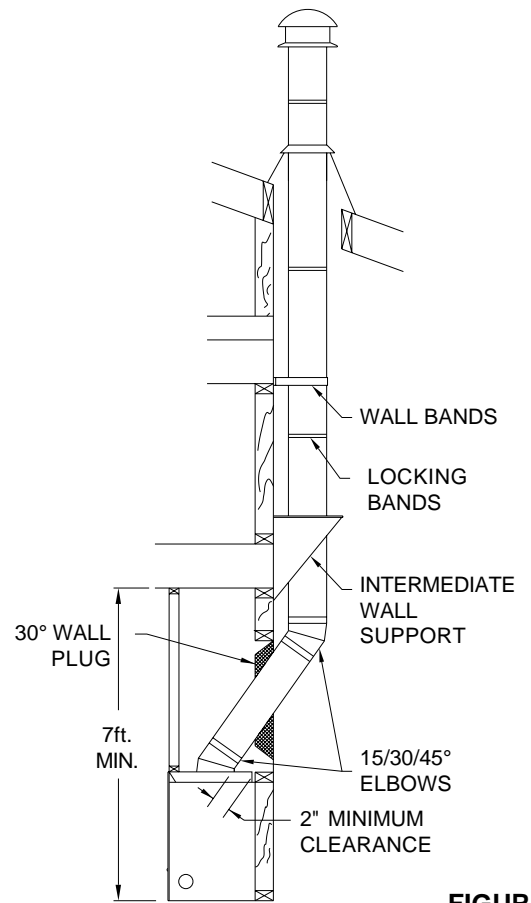


FIGURE 9c

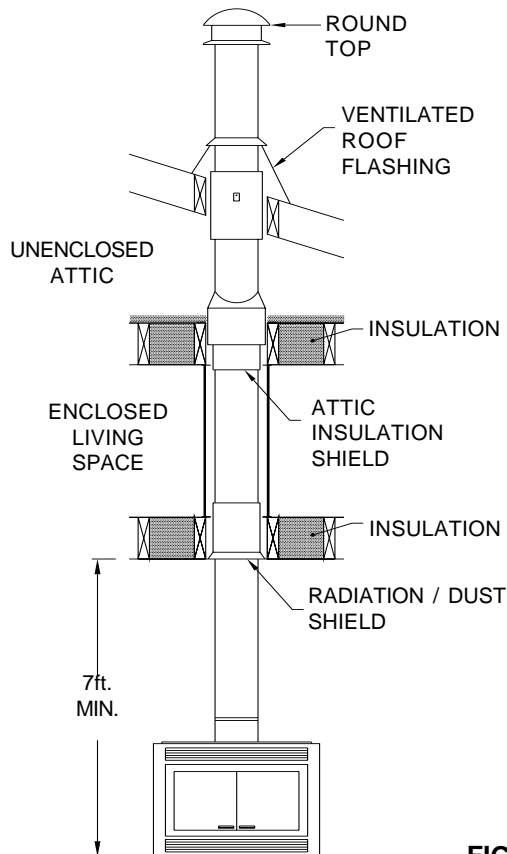


FIGURE 9b

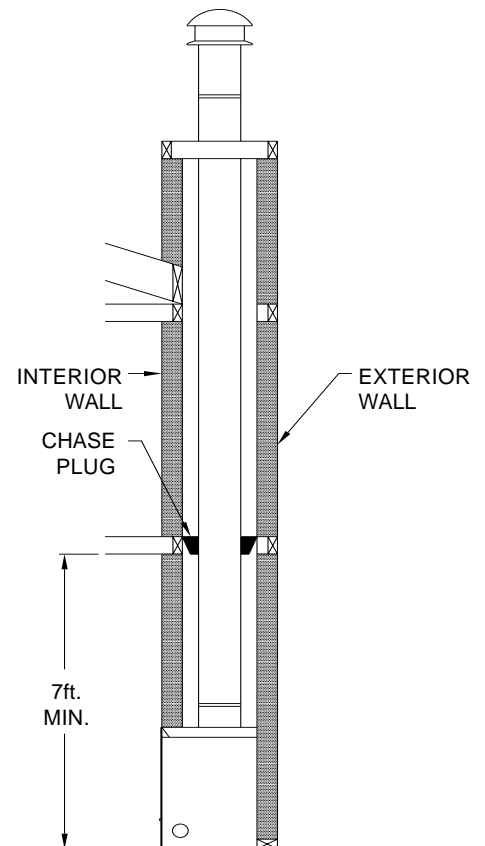
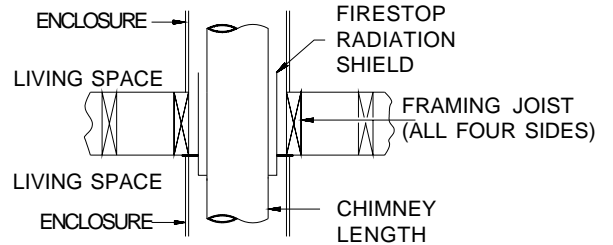


FIGURE 9d

ATTIC INSULATION SHIELD / FIRESTOP SPACER

(Selkirk Model SS Plus & CF)

This shield has three main components: the Attic Insulation Shield (upper box), the Support Angles and the Joist Shield. This complete shield must be used at the ceiling level entering an attic to prevent insulation from coming into contact with the chimney. It is not used when the chimney is tightly enclosed up to the roof. It also firestops this level and because it is a firestop, DO NOT CUT the upper box.



FIRESTOP INSTALLED BELOW THE JOIST

FIGURE 11b

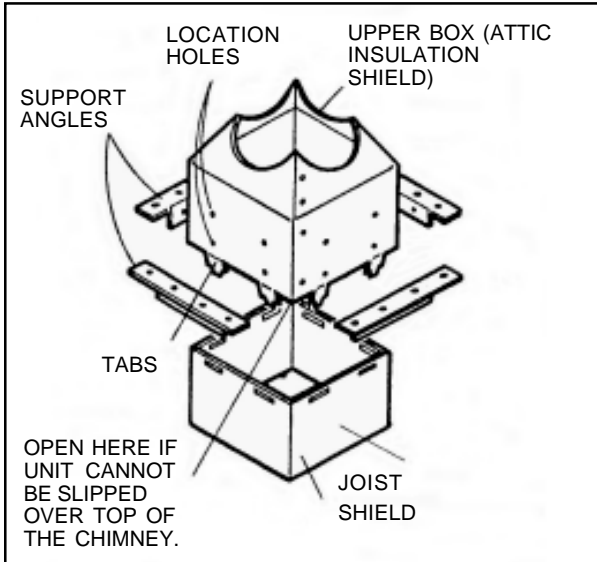


FIGURE 10

FIRESTOP RADIATION SHIELD INSTALLATION

(Supervent Model SC, & SPR)

1. The Firestop Radiation Shield must be installed whenever the chimney passes through a floor or ceiling from one living space to another living space. The firestop Radiation Shield has been tested and approved to be installed from either above or below the joist. See figure 11a.

2. If installing the Firestop Radiation Shield from below the joist, ensure that there is no insulation or other combustibles within the 50mm(2") air space around the chimney. This includes the air spaces between the Firestop Radiation Shield and the joist. See figure 11b.

RADIATION / DUST SHIELD INSTALLATION

(Selkirk Model SS Plus)

All joist areas must be fully framed to accept a Radiation / Dust Shield. The SS Radiation/Dust Shield must be used at all joist levels except an open attic level. Use 1-1/2" nails to attach it to the joists. The shield may be trimmed but must remain 25mm (1") below the ceiling.

CF INTERMEDIATE JOIST SHIELD INSTALLATION

(Selkirk Model CF)

The CF Intermediate Joist Shield must be used at all joist levels except an open attic level. It is installed from below using 1-1/2" nails. It can not be cut down.

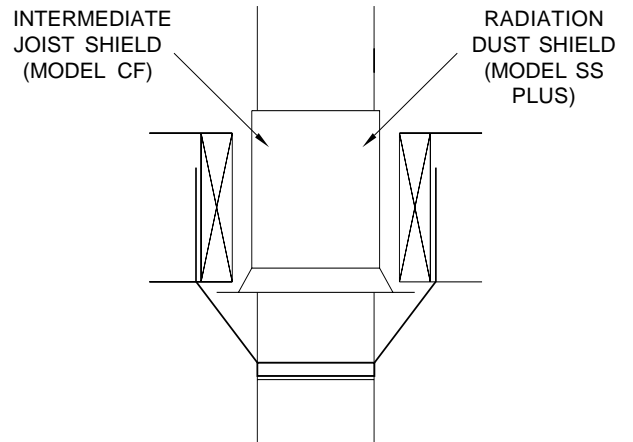
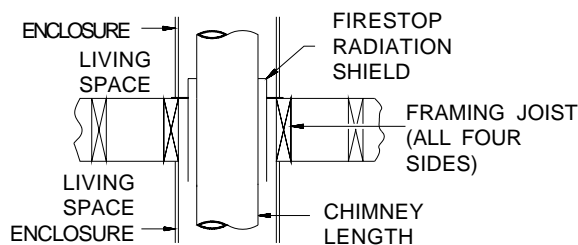


FIGURE 12



FIRESTOP INSTALLED ABOVE THE JOIST

FIGURE 11a

ATTIC INSULATION SHIELD INSTALLATION

(Supervent Models SC, SPR, SC-1 and ALT)

An Attic Insulation Shield must be installed where the chimney passes from the lower living space to an upper enclosed attic space. It is designed to keep insulating materials away from the chimney and will protect up to 250mm(10") thickness of insulation. In Canada the Attic Insulation Shield is installed along with the firestop as shown in Figure 13a. In the United States the Attic Insulation Shield is installed as shown in Figure 13b.

SUPERVENT MODEL SC, & SPR

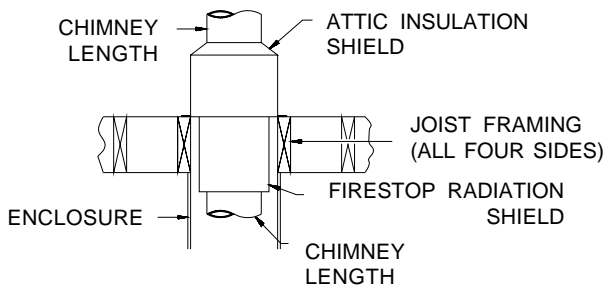


FIGURE 13a

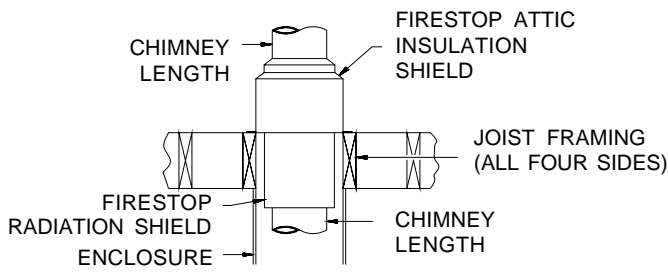


FIGURE 13b

SUPERVENT MODEL SC-1, & ALT

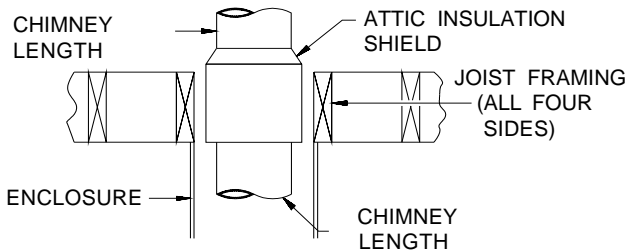


FIGURE 13c

CHASE PLUG INSTALLATION

(Selkirk and Supervent)

1. The Chase Plug is designed and manufactured to maintain the thermal envelope of your house. The Chase Plug must be installed from the bottom side of a 13"(330mm) square opening using 8 -2"(6d) spiral nails. See figure 14.

2. Whenever the chase plug is used, the chimney must be enclosed immediately above the joist in which the chase plug is installed.

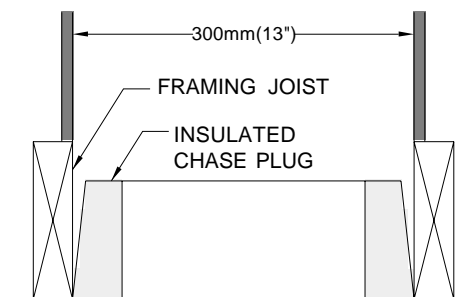


FIGURE 14

ELBOW INSTALLATION

(Supervent Model SC, SC-1, SS Plus, SPR, ALT & CF)

1. For offset installations of the 1 inch chimney (SC, SPR, SS Plus) a maximum of 2-45° and 2-15° or 4-30° elbows may be used. For offset installations of the 2 inch chimney (SC-1, ALT, CF) a maximum of 2-15° or 4-30° elbows may be used.

2. During installation of elbows, make sure to provide supplementary support for the offset sections to avoid any undue stress on connected elbows.

3. Never install an elbow in a joist area. Chimney sections must pass vertically through framed joist areas.

4. Install an elbow support just above the highest elbow. Attach the support band to the chimney by installing eight sheet metal screws through the pre-punched holes. Nail the four support bands to the side of the framing using 6d(2") spiral nails. Each elbow support will support 9m(30ft.) of chimney. See figure 15.

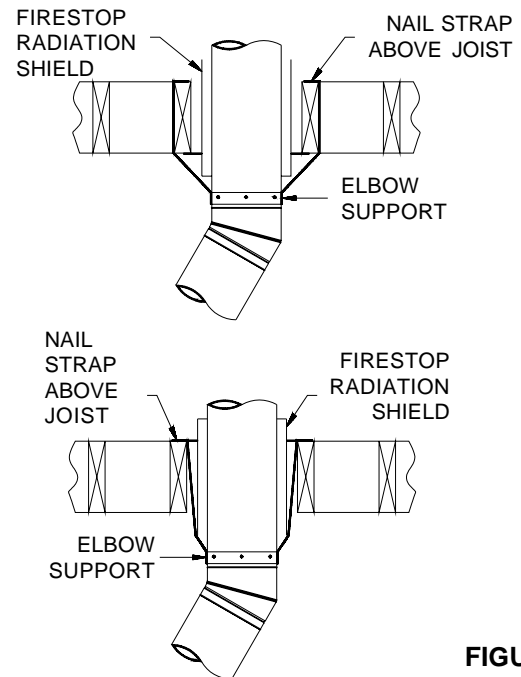


FIGURE 15

OFFSET SUPPORTS

(Model SS Plus)

Support for a chimney offset need not be immediately above offset, but must be within 6m (20') of the lower elbow of an offset. Supports can hold up to 9m (30') of chimney, 6m (20') of which can be suspended. Two supports are offered with the SS Plus; they are the SS Interior Resupport and the CF Roof Support.

SS INTERIOR RESUPPORT

The SS Interior Resupport can be put below a Radiation/Dust Shield or an Attic Insulation Shield/Firestop Spacer. It must extend at least 304mm (12") below the top of the joist. Drill 3/32" holes first and use eight (8) #6-3/4" stainless sheet metal screws to attach the band to the chimney. Next nail the straps to the joist (outside of the joist for Attic Installations Shield/Firestop Spacer) using 1-1/2" common or spiral nails.

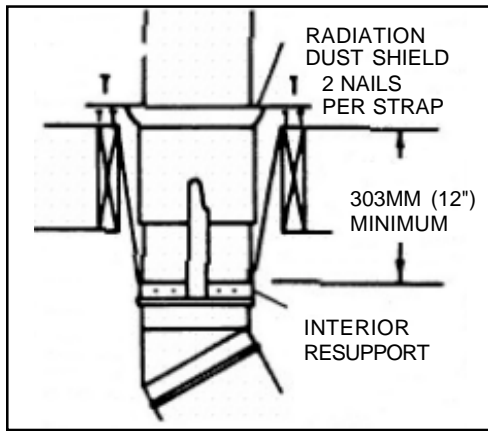


FIGURE 16

CF ROOF SUPPORT

The CF Roof Support can be used with either the CF chimney or the SS chimney. The Roof Support is located on top of the joists and is installed after a Radiation/Dust Shield (SS Model) or an Intermediate Joist Shield (CF Model) is installed (when required). See figures 17 & 18. Install two carriage bolts per chimney plate in the square holes. Bend the plate to suit the curve of the chimney. Using the plate as a template, drill 3/32" holes in the casing. Attach the plates using the stainless sheet metal screws provided. Attach the roof bracket to the chimney plates using the installed carriage bolts. Set the assembly into position and adjust and tighten the carriage bolts. Screw the plate to the joist using the six (6) large wood screws per bracket. The Resupports can hold up to 9m (30') of chimney, 6m (20') of which can be suspended.

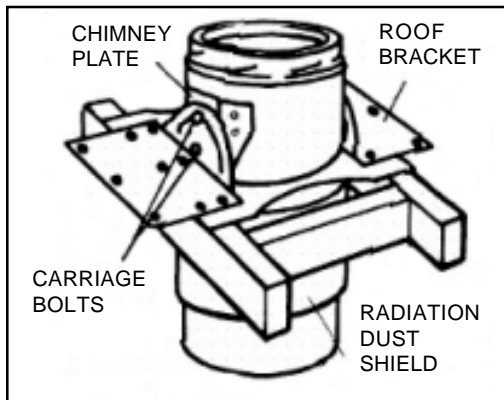


FIGURE 17

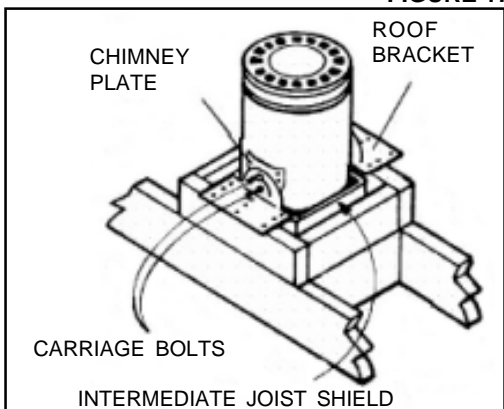


FIGURE 18

OFFSET SUPPORTS

(Model CF)

Two supports are offered for the CF chimney; They are the CF Interior Resupport and the CF Roof Support, described as follows:

CF INTERIOR RESUPPORT/OFFSET SUPPORT

The CF Interior Resupport/Offset Support can be put below an Intermediate Joist Shield or an Attic Insulation Shield/Firestop Spacer. The Interior Resupport band is attached and tightened below a Locking Band. The straps are then run along the outside of the joists and nailed to them using eight (8) 1-1/2" nails (2 per strap).

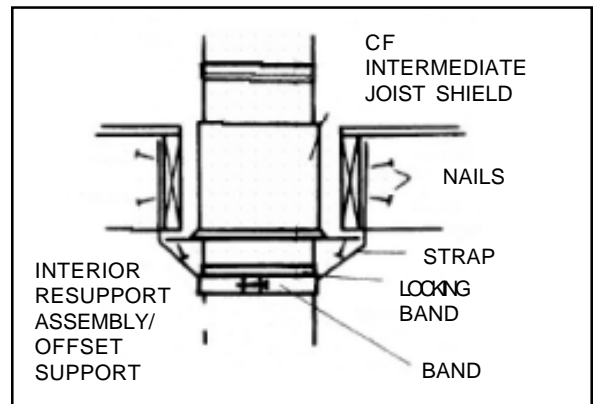


FIGURE 19

CHIMNEY ADAPTER INSTALLATION

(Model SC, SC-1, SPR, ALT, SS Plus)

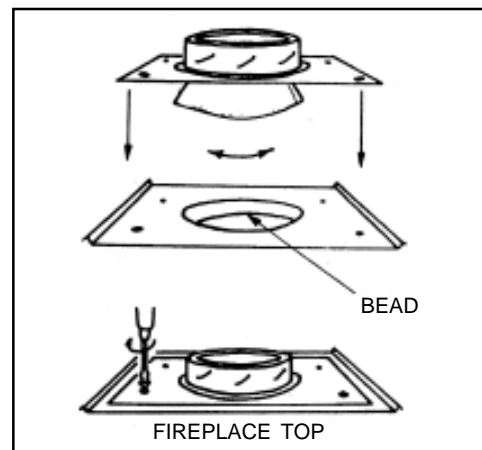


FIGURE 20

1. Place Adapter over opening at top of your Model 640/ZC40 Fireplace.
2. Twist the Adapter into the opening ensuring the adapter is completely in place until the bottom edge of the adapter bottoms out on the top of the bead edge inside the fireplace flue.
3. Align the Adapter with the four (4) holes on the fireplace top.
4. Secure the Adapter to the fireplace using the screws provided.

CF ADAPTER/chimney INSTALLATION

(Model CF)

1. Place adapter on fireplace, see Chimney Adapter Installation.
2. Remove plastic retainer to expose insulation.
3. Mount four (4) "L" brackets flush with end edge of casing and secure with #6 x 3/4" stainless sheet metal screws. Two per bracket.
4. Position CF chimney on coupler adapter of fireplace. Drill 3/32" holes thru holes in "L" brackets into top and secure with #6 x 3/4" stainless sheet metal screws. Two per bracket.

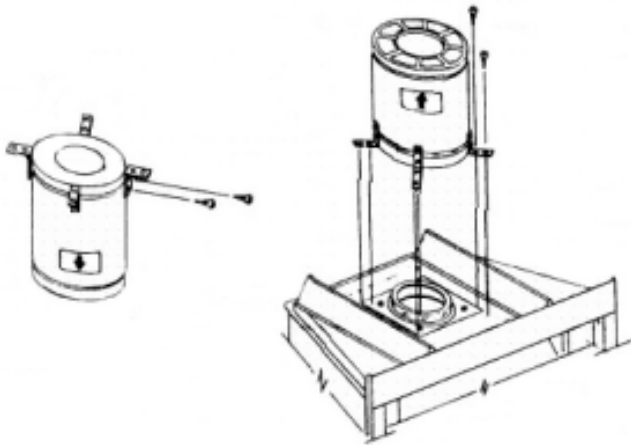


FIGURE 21

EXTERIOR CHIMNEY INSTALLATIONS

(Models SS Plus, SC, & SPR)

1. On a through the wall installation as shown in figures 6c & 9c, an intermediate wall support is required immediately above the second elbow which will support up to 10m (30ft.) of chimney.
2. Install one length of chimney on the second elbow and secure in place with a locking band. Assemble the intermediate wall support with the four (4) stove bolt provided and slide the assembly over the section just installed. Fasten the intermediate wall support to the wall using four 1/4 x 2" lag bolts, or wood screws so that the hole in the plate is located in the middle of the chimney section. Install the draw band around the chimney so that it is securely against the support plate and supporting the weight of the chimney. Install four sheet metal screws firmly into the outer casing of the chimney, through the pre-punched holes in the draw band. See figure 22.

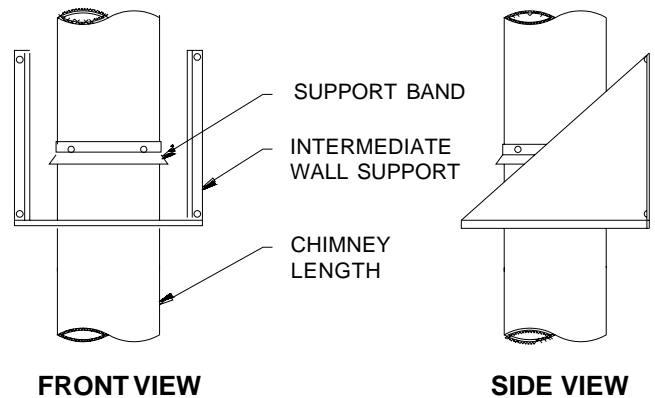


FIGURE 22

3. Wall bands must then be installed at 2.4m(8ft.) intervals above the intermediate wall support.

4. Using the nut and bolt supplied, fasten the wall band around the chimney section. Then secure the band to the wall using two 6d(2") spiral nails or appropriate masonry fasteners for concrete walls.

ROOF FLASHING INSTALLATION

1. Ensure that you have the proper roof flashing by checking your roof pitch using a level and two rulers, or by using a roof pitch card. See figure 23.

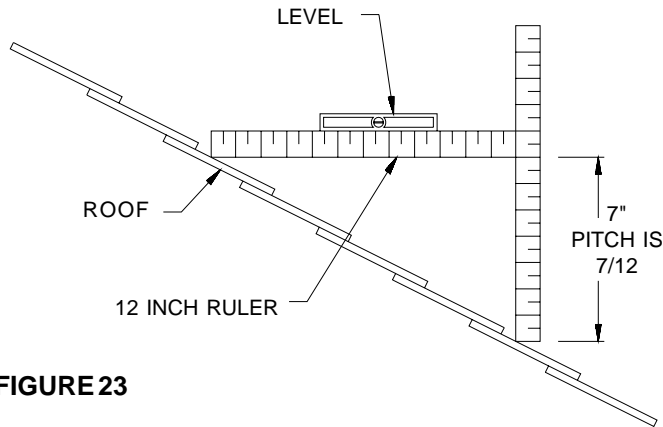


FIGURE 23

2. A Rafter Radiation Shield is only required when the chimney is enclosed in the attic space. The shield is installed from above the joist and is supported by the two L-shaped brackets on the sides. Ensure that the chimney is plumb, then nail the rafter radiation shield into place through the brackets before the roof flashing is installed. See figure 24.

3. Slide the roof flashing suitable to your roof pitch over the chimney. Place the top edge of the flashing plate under the shingles. Place both sides and bottom edge on top of shingles. See figure 25.

4. Square up the flashing plate and nail in place to the roof deck using 12 nails with neoprene washers or cover the heads with a suitable water proof mastic.

5. Wrap the storm collar around the chimney above the flashing, and secure the ends loosely together with the nut and bolt supplied. Slide the collar down the chimney until it contacts the flashing guides. Tighten the nut and bolt and seal the storm collar to the chimney with a suitable non-combustible mastic.

6. The flashing and storm collar should be painted to match the roof shingles. This will extend its life and improve the appearance of the installation. Clean, prime, and paint with suitable painting products.

7. Continue adding chimney lengths until the proper height is achieved. See Chimney Installation Instructions on page 3. Install a raincap (standard or deluxe model) and lock it into place by turning it clockwise until tight.

8. If the chimney extends more than 2m(6ft.) above the roof deck, then roof guys are required. Model JURGK-1 is suitable for this application. The draw band must be clamped around the chimney and the two legs bolted to the chimney.

WARNING: DO NOT BLOCK THE VENTILATION OPENINGS IN THE FLASHING.

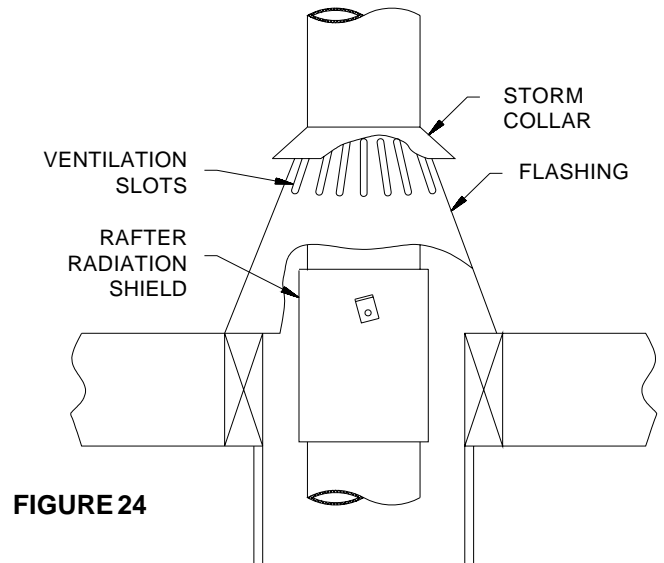


FIGURE 24

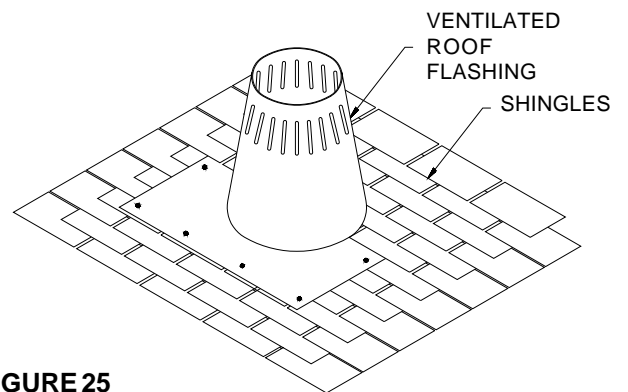


FIGURE 25

NOTE: AT THE TOP EDGE OF THE FLASHING PLATE, LIFT THE SHINGLES AND NAIL THE PLATE TO THE ROOF DECK. THEN CEMENT THE SHINGLES TO THE PLATE WITH A SUITABLE WATERPROOF MASTIC.

OUTSIDE AIR KIT INSTALLATION

(See Appendix A-1 & A-2)

1. The outside air kit has been designed to be installed on either side of the fireplace so as to accommodate your installation.

2. The maximum length approved for the aluminium flexible air duct is 4.9m(16ft.) of which 3m(10ft.) may be vertical above the fireplace.

WARNING: THE OUTSIDE AIR KIT VENT MUST VENT TO THE OUTSIDE ONLY. DO NOT INSTALL THE HOOD ASSEMBLY IN A GARAGE, CARPORT, ATTIC, OR BASEMENT.

3. Open the lower grille and slide the air stub and flap assembly through the hole in the Outer Casing. Ensure that the flap on the assembly opens so that the air flow is directed towards the back of the fireplace, and fasten the assembly to the fireplace with four screws to hold the assembly in place.

4. Locate a position in the outside wall to install the hood assembly, ensuring the duct is long enough. Cut a hole through the outside wall approximately 75mm(3") in diameter and slide the hood assembly in from the outside wall and seal it with a suitable caulking.

5. Cut the flexible air duct to suit your installation, and attach both ends using the duct clamps.

FAN KIT INSTALLATION

(See Appendix B)

1. The Fan Kit is an option that can be hooked up directly to any electrical supply at the time of the fireplace installation. or simply plugged into a nearby electrical outlet if installed at a later date.

2. The fan is contained in a single mounting unit and has 760mm(30") of electrical wire with a three prong plug attached. To attach the fan to the fireplace, insert the fan through the lower grille opening and attach the fan assembly to the bottom of the fireplace.

3. Your Fireplace has been designed to accept the electrical wiring through either side of the unit by running the electrical wire into or out of the unit through the front support support channel located on the bottom of the fireplace.

CAUTION: HAVE A CERTIFIED ELECTRICIAN DO ANY OF THE ELECTRICAL CONNECTIONS OR HOOK-UP OF YOUR FAN KIT

GAS LINE INSTALLATION

1. Your fireplace is designed to accept a 19mm (3/4") gas line for a decorative gas appliance or a gas log ignitor. Have the appliance and the gas line installed by a qualified gas fitter in accordance with all local building codes. The gas pipe installation is intended for connection to approved decorative gas appliance or gas log ignitor only in accordance with CAN\CGA-B149 in Canada, and the National Fuel Gas Code ANSI Z223.1 in the United States.

2. In order to install the gas line conduit you will require a piece of 19mm(3/4") nominal diameter nipple 152mm(6") long and two 25mm(1") diameter electrical conduit locknuts to fit the pipe.

3. Select the side of the fireplace that the gas conduit is to

3. Select the side of the fireplace that the gas conduit is to be run through, and remove the refractory from that side by removing the refractory clip. Knock out the remainder of the hole in the refractory using a hammer and a chisel. There is also a sheet metal knockout on the outer casing and firebox lining to be removed.

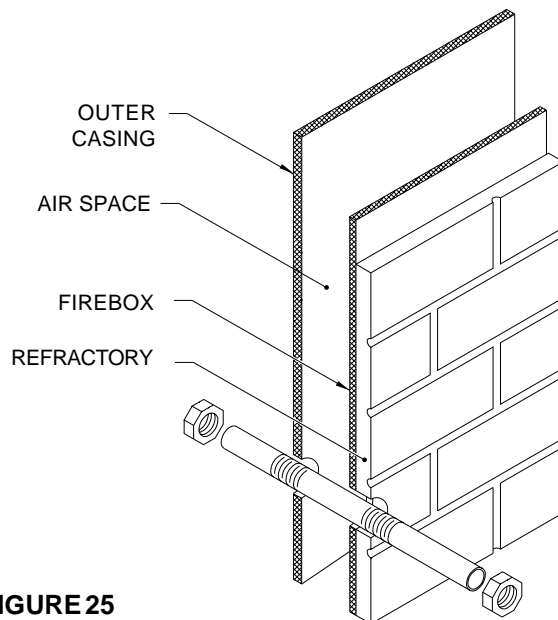


FIGURE 25

4. Insert the pipe so that it passes through both sheet metal holes and fasten in place using the 25mm(1") diameter nuts. The pipe should be located so that it will be flush with the back of the refractory. See figure 25.

5. The gas pipe must be iron or steel pipe, and the gap around the pipe must be sealed with stove cement where it passes through the refractory panel.

CAUTION: WHEN A DECORATIVE GAS APPLIANCE IS INSTALLED IN A FIREPLACE THAT HAS A MANUAL DAMPER, LOCAL BUILDING CODES MAY REQUIRE REMOVAL OF THE DAMPER, OR THAT A PERMANENT STOP BE PROVIDED ON THE DAMPER TO PREVENT COMPLETE CLOSURE OF THE FLUE OUTLET. CHECK WITH YOUR LOCAL BUILDING CODE OFFICIAL TO DETERMINE WHAT IS REQUIRED IN YOUR AREA.

ENCLOSING THE FIREPLACE

1. The fireplace framing and enclosing can be finished with a material of your choice. Figure 26 shows the minimum framing dimensions.

NOTE: DO NOT PACK THE REQUIRED AIRSPACES WITH INSULATION (IE. BETWEEN THE TOP SPACERS AND THE FIREPLACE)

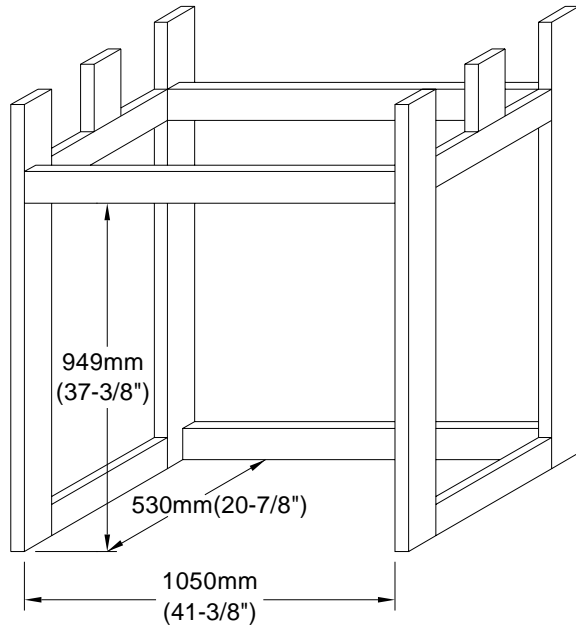


FIGURE 26

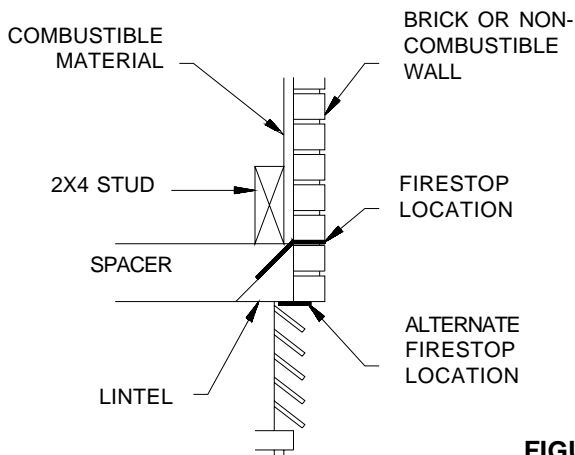
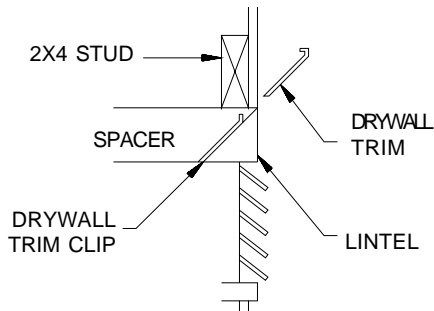


FIGURE 27

3. If a combustible mantle is to be installed do not install it closer than the minimum 457mm(18") above the fireplace opening as shown in figure 28. A non-combustible mantle may be installed at any height above the grille opening.

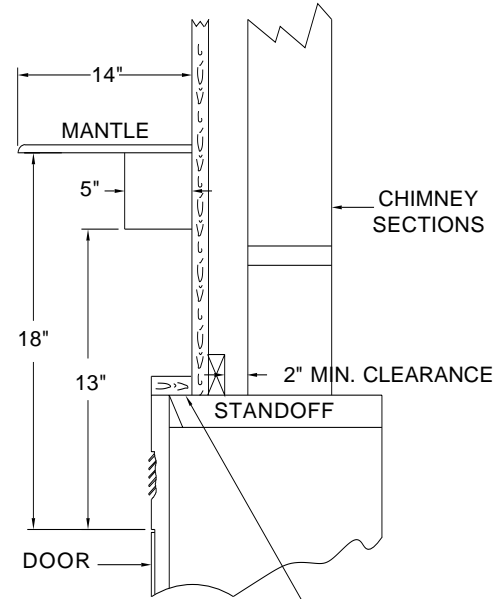


FIGURE 28

ZERO CLEARANCE TO STANDOFFS

4. Non-combustible materials may be used to finish the lintel sides of the fireplace. When using a non-combustible material, a firestop must be installed either above or below the lintel so that hot air does not radiate behind the brick facing and cause combustibles to overheat. See figure 28.

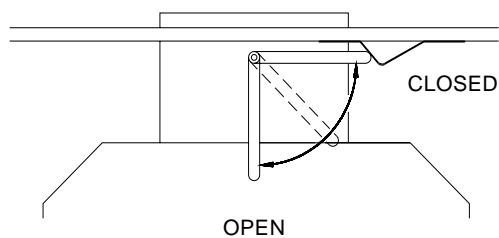
NOTE: WHEN FINISHING THE FIREPLACE, NEVER OBSTRUCT OR MODIFY THE AIR INLET/OUTLET GRILLES IN ANY MANNER

OPERATING AND MAINTENANCE OF YOUR MODEL 640/ZC40 FIREPLACE & FIRING THE FIREPLACE

1. Your fireplace has been designed to produce best results by using aged dry wood. **NEVER USE THE FIREPLACE AS AN INCINERATOR.** Do not burn materials such as driftwood which contains salts, paper, plastics, garbage, etc..

2. Before starting each fire, ensure that the fireplace damper is fully open in order to prevent smoke, and flame from entering the room. To open the damper move the damper handle from right (horizontal position) to left until it unlocks and falls open (vertical position). To close the damper move the handle in the opposite direction until it locks into position. See figure 29.

FIGURE 29



3. The outside air control can be moved to either the open or closed position to allow outside or inside air to the firebox. By use of the optional blower and its variable speed control, the desired amount of fresh air for you and your home can be obtained and controlled.

4. Never build to large a fire, and be sure to avoid quick hot flash-type fires. Use only sufficient kindling to start well seasoned hardwood.

5. Never use gasoline, kerosene, charcoal lighter fluid, or similar liquids to start or 'freshen' a fire in the Model 640/ZC40 fireplace. Any such liquids should be kept well away from the fireplace.

6. Any combustibles and furnishings should always be kept away from the fireplace opening.

OPERATING THE FIREPLACE

1. While operating your fireplace ensure that the damper is left fully open at all times while the fire is burning, and also keep the curtain screen closed to prevent sparks from entering the room.

2. In order for the fireplace to run safely and efficiently it is necessary for air to circulate through the fireplace at all times.

NEVER BLOCK THE CIRCULATING AIR INLET AREA OR THE HOT AIR OUTLET AREA.

ONLY OPERATE THE FIREPLACE WITH THE GLASS DOORS FULLY OPEN OR FULLY CLOSED, AS PARTIALLY OPEN DOORS MAY DRAW SMOKE AND FLAME OUT OF THE FIREPLACE AND INTO THE LIVING AREA.

DISPOSAL OF ASHES

When disposing of ashes, they should be placed in a metal container with a tight fitting lid. The closed container should not be placed on a combustible floor, and kept away from other combustible materials until the ashes have cooled or been removed from the container. Before disposing of ashes, ensure that all cinders have cooled thoroughly.

CREOSOTE, FORMATION & NEED FOR REMOVAL

1. When wood burns slowly, it produces tar and other organic vapours which combine with expelled moisture to form creosote. The creosote vapours condense in a relatively

cool chimney flue of a slow burning fire. As a result creosote accumulates on the flue lining, and when ignited makes extremely hot fire. The chimney is not intended nor been designed to be used as a combustion or fire chamber. By burning kindling, scrap lumber, brush or other fast burning fuel, you can overfire your fireplace which can produce flames and high temperatures all the way up the chimney. This can result in damage to the chimney if continued for more than a couple of minutes.

2. DO NOT OVERFIRE A HAND-FIRED APPLIANCE.

3. **KEEP YOUR CHIMNEY CLEAN.** With a new installation, the chimney should be inspected frequently (every two weeks) to determine the rate of creosote formation. Once familiar with your fireplace, and the chimney characteristics, the chimney should be inspected at least once every two months during the heating season to determine if creosote or soot build-up has occurred.

CHIMNEY FIRES, WHAT TO DO IN THE EVENT OF ONE

1. If a fire has got out of control in your fireplace or you suspect a chimney fire for any reason, immediately close the curtain and optional glass doors if installed.

2. Closely inspect in and around the fireplace and chimney for a possible fire. If you are in doubt contact your local fire department and alert any people in the building of the possible danger.

3. Do not use your fireplace again until it and your chimney have been thoroughly inspected by a qualified heating person. Overheating of the fireplace and chimney can cause them to become defective as metal parts expand, buckle, and crack under these adverse conditions. Any of these defective parts must be replaced to ensure your safety.

4. Never use water to put out a fire in your fireplace, as this will cause a dangerous steam explosion. To control the fire you might use ashes, sand, or baking soda.

MAINTENANCE OF YOUR GLASS DOORS

1. If you have a set of optional glass doors installed (See Appendix C), always ensure that the screen is also closed when operating the fireplace. This will help prevent a log or hot coals from falling against the glass and possibly causing the glass to shatter.

2. **CAUTION:** Start your fireplace slowly to heat the glass gradually in order to avoid sudden temperature changes in the glass. Do not build your fire too close to the glass and ensure you always operate the fireplace with the damper fully open in order to prevent excessive heat buildup which may cause premature failure of the glass.

3. Inspect the glass doors for signs of cracks or breaks on a regular basis, and if found, extinguish the fire and replace the pane of glass.
4. Never slam the fireplace doors as a protruding object (ie. log) may hit the glass and cause breakage.
5. The glass on your Fireplace should remain clean except for the odd buildup of ash. Never try to clean your glass doors while they are still hot or warm. Use only glass cleaner or a mild soap and water solution to clean the glass.
6. To replace the glass, remove the door by simply opening the door. Remove the hardware from the defective glass, place it on a new pane of glass and replace the door. The replacement glass must be a 6mm thick X 430mm X 450mm (1/4" thick X 16-15/16" X 17-23/32") piece of tempered glass which is available from your dealer.

**CAUTION: USE ONLY THE SIZE AND
TYPE OF GLASS SPECIFIED ABOVE.
DO NOT USE A SUBSTITUTE
MATERIAL**

APPENDIX A.1

Selkirk Canadian Operations

Model 640 / ZC40 Fireplace Installation Instructions for Outside Air Kit

Items included in kit:

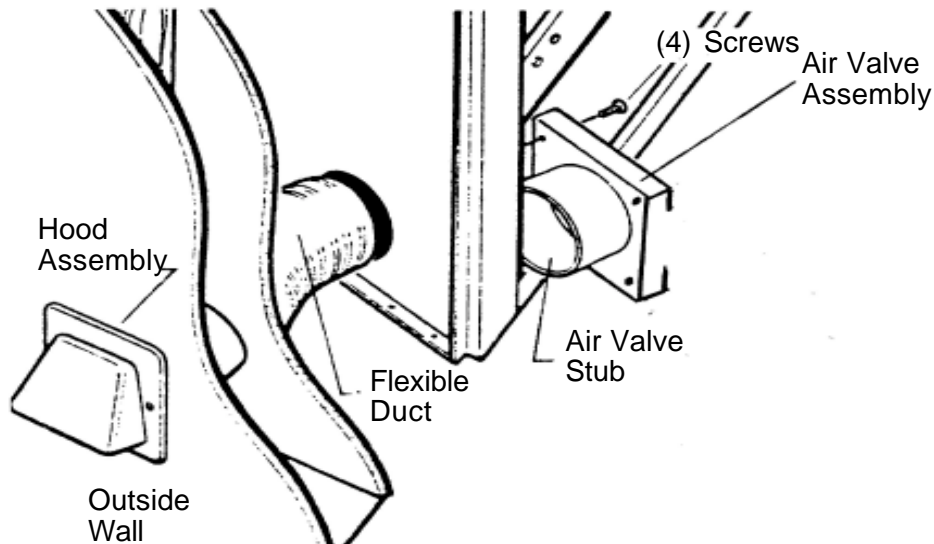
- 1) Air Valve Assembly
- 2) 3" Dryer Hood Assembly
- 3) 10' Flexible Ducting
- 4) Air Duct Clamps (2)
- 5) Hardware Pack

OUTSIDE AIR KIT INSTALLATION:

1. The outside air kit has been designed to be installed on either side of the fireplace as to accommodate your installation.
2. The maximum length approved for the aluminum flexible air duct is 4.9m (16ft.) of which 3m (10ft.) may be vertical above the fireplace.

WARNING: THE OUTSIDE AIR KIT VENT MUST VENT TO THE OUTSIDE ONLY. DO NOT INSTALL THE HOOD ASSEMBLY IN A GARAGE, CARPORT, ATTIC, OR BASEMENT.

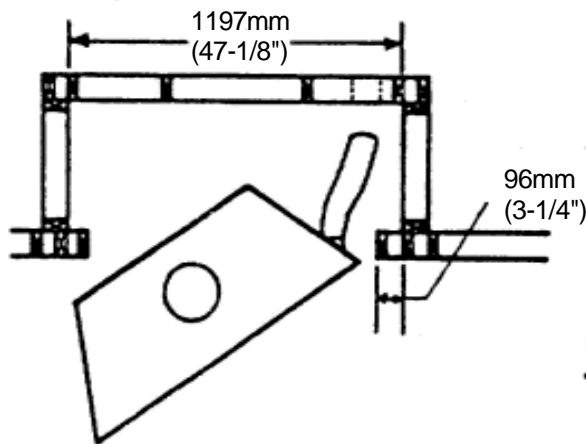
3. Open the lower grille and slide the air stub and flap (air valve) assembly through the hole in the outer casing. Ensure that the flap on the assembly opens so that the air flow is directed towards the back of the fireplace, and fasten the assembly to the fireplace with the four (4) screws provided to hold the assembly in place.
4. Locate a position in the outside wall to install the hood assembly, ensuring the duct is long enough. Cut a hole through the outside wall approximately 75mm (3") in diameter and slide the hood assembly in from the outside wall and seal it with a suitable caulking.
5. Cut the flexible air duct to suit your installation, and attach both ends using air duct clamps.



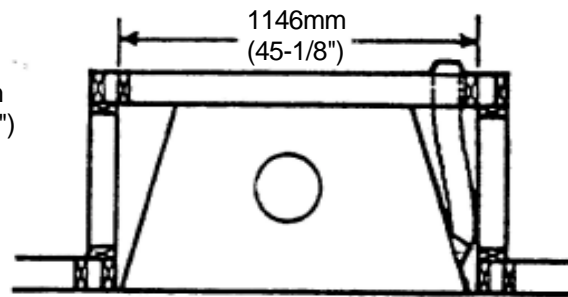
APPENDIX A.2

INSTALLING AN OUTSIDE AIR KIT IN A CHASE:

1. If the chase is framed first, a minimum width of 1197mm (47-1/8") is required. A minimum width of 1146mm (45-1/8") can be used if the chase is to be framed later.
2. Cut the duct to about 760mm (30") for a 610mm (24") deep chase.
3. Flatten the aluminum inner so the reduced hood assembly will fit. Cut the hood assembly down to approximately 125mm (5") length.
4. Cut a hole in the back wall (drywall) approximately 127mm (5") in diameter and in the outside wall approximately 89mm (3-1/2") in diameter.
5. Attach the duct to the outside air stub using the two screws provided.
6. Carefully shift the fireplace into place, while doing this pull the duct through the back wall and attach the hood assembly with the remaining 2 screws provided.
7. Seal and fasten the hood assembly to the outside wall using a suitable caulking and the 3/4" screws provided.



FRAMED OPENING



NON-FRAMED OPENING
Framed After Positioning the Fireplace

APPENDIX B

Selkirk Canadian Operations

Model 640 / ZC40 Fireplace

Installation Instructions for Direct Blower Kit

Items included in kit:

- | | | |
|----------------------------|----------------------------------|-------------------------|
| 1) Blower assembly | 3) Electrical junction box cover | 5) Variable switch |
| 2) Electrical junction box | 4) Blower deflector | 6) 30" three prong plug |
| | | 7) Hardware pack |

STEP #1

Remove the bottom grille from the fireplace, by removing the rear screw and sliding the rod to one side.

STEP #2

Place the blower assembly on to the two (2) studs towards the back of the base and fasten with two (2) 10-32 hex nuts provided.

Make sure the blower is pushed to the rear as far as the slots will allow. Do not overtighten the hex nuts that secure the blower to the base. The foam gasket should only be slightly compressed.

STEP #3

Install the variable speed/electrical box on the two studs located at the side front of the base (opposite side of air kit, if used) and securing it with the two (2) 10-32 hex nuts provided. If studs are not present, drill and secure to side of unit. The speed control may be installed in the junction box or located remotely.

If the speed control is to be located in the junction box, the knock out on the front of the box must be removed. The speed control is then inserted between the cover plate and the housing of the box. Be sure to align the tabs of the speed control with the holes that secure the cover plate to the junction box and reassemble.

If the speed control is to be located somewhere else, an electrical junction box not provided must be installed around the control and the system must be wired in accordance with local and or national electrical codes.

STEP #4

Wire this assembly to a 120 volts power supply. Note: A licenced or qualified electrician must make the power connection. See figure 1.

STEP #5

Feed the air deflector into the bottom and lift the air deflector up and position the vee bend into the vee frame of the blower. See figure 2.

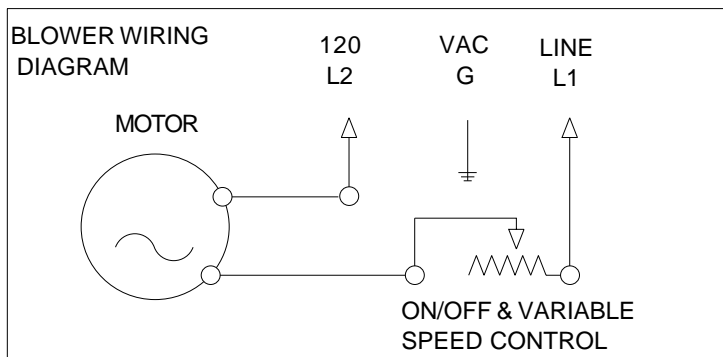


FIGURE 1

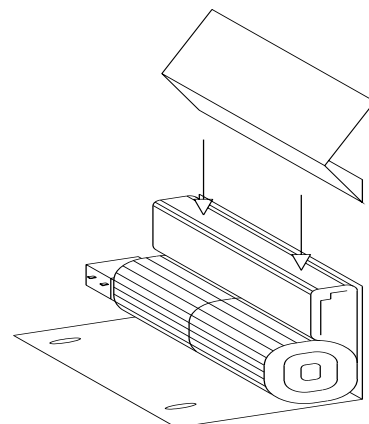


FIGURE 2

APPENDIX C

Selkirk Canadian Operations

Model 640 / ZC40 Fireplace

Installation Instructions for Cabinet Doors

The Cabinet Door Kit Includes:

Item	Description	Qty
1.	Glass	2
2.	Door Latch Assembly	2
3.	Pivots	4
4.	Latch Pads	2
5.	Pivot Pads	4

Cabinet Door Installation.

1. Install the pivot pads in the upper & lower outer corners of the glass 6mm (1/4") from the edge.

2. Install the latch pads and assemble the latch clamp and latch as shown.

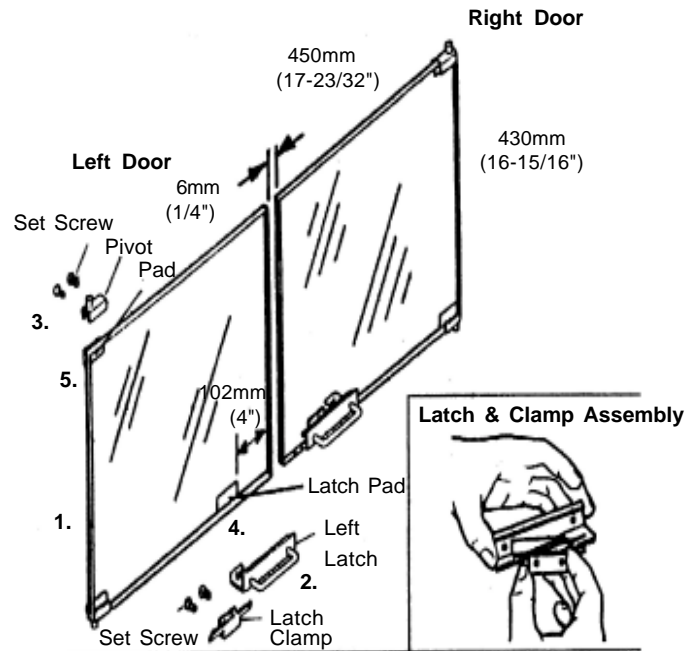
3. Attach the left and right door latch assemblies to the glass doors. Ensure that the screws come in contact with the latch pads only, not the glass, tighten the set screws so that the handles slide freely. Do not overtighten the set screws as too much pressure may cause premature glass breakage.

4. Install the bottom left and right pivots, ensuring the screws are tightened on the pads and not the glass.

5. Insert a pivot bushing into each of the bottom and top pivots.

6. Insert the right door bottom pivot into the right hole of the lower door frame of the fireplace. Balancing the door, place the top pivot with bushing into the right hole at the top door frame of the fireplace. Slide the glass door into top pivot, close door and latch into place. Repeat same for left door.

7. Adjust the top pivot so that the pivot bushing is only sticking upwards above the hinge by approximately 2mm (1/16"). Tighten the two (2) machine screws once the top pivot is located.



9. Ensure that there is a uniform gap around the top, bottom, and sides of the cabinet doors.

10. Open and close the cabinet doors to ensure no interference with the fireplace or any parts.

NOTE: These instructions are provided for general installation only, please review your Fireplace Installation & Operation manual for glass door safety, glass replacement, cleaning and operation.

SAFETY: Keep all hardware and plastic wrapping out of reach of children. Check the edges of the glass panes for chipped edges. Once the glass doors are installed heat the glass slowly to avoid a sudden temperature change.

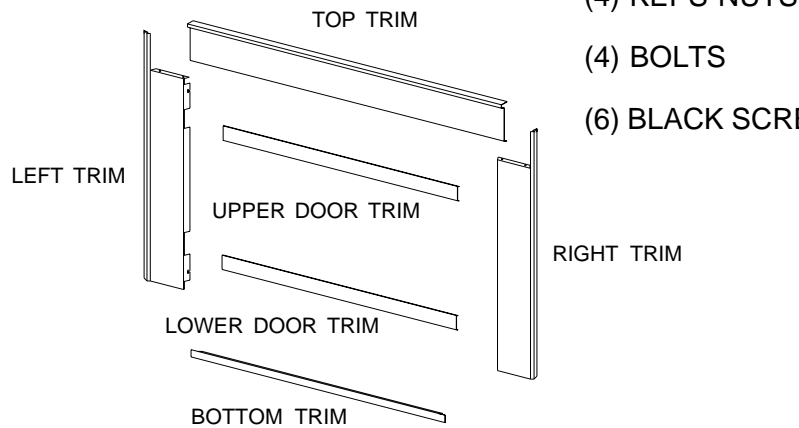
APPENDIX D-1

Selkirk Canadian Operations

Model 640 / ZC40 Fireplace

Installation Instructions for Trim Kit

INCLUDED IN KIT:



(4) KEPS NUTS

(4) BOLTS

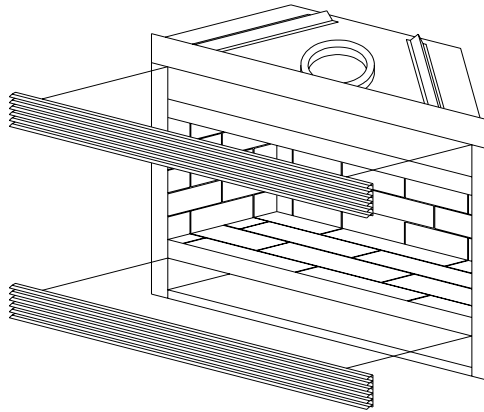
(6) BLACK SCREWS AND/OR BRASS SCREWS

STEP #1

Remove all parts from packaging. Remove all plastic protective coatings from brass components.

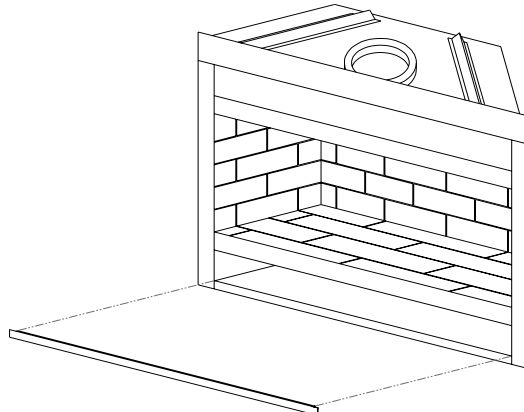
STEP #2

Remove the Upper and Lower grilles from the fireplace, by removing the rear screw and sliding the rod to one side.



STEP #3

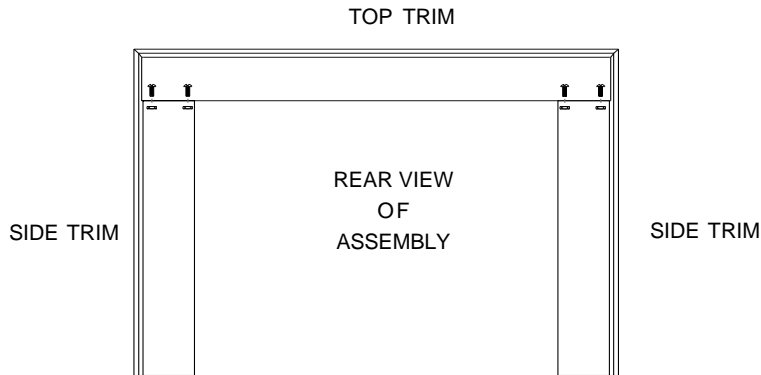
Place the bottom trim on base of unit. Note: Notched surface lays flat on base of the unit. Fasten the trim in place with two (2) screws.



APPENDIX D-2

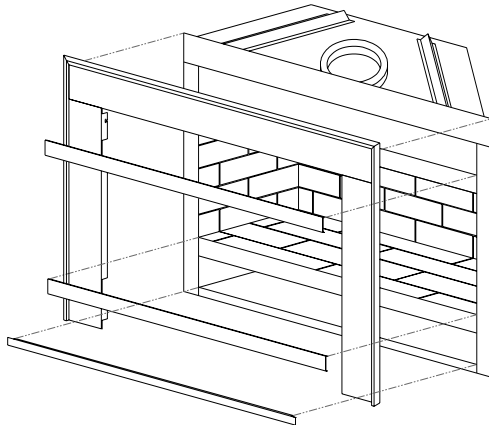
STEP #4

Assemble the sides to the top using the nuts and bolts provided. Two (2) per side. Note: The side trim pieces are left and right and are not interchangeable.



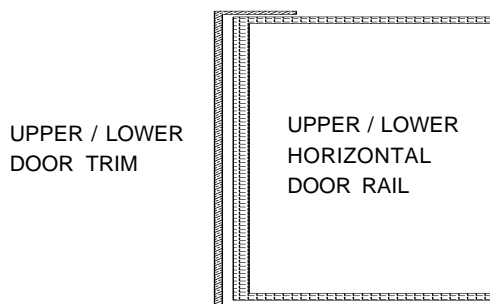
STEP #5

Fasten the screws (4) provided into the pre-punched holes of the inside edge of the fireplace, 2 per side. Note: Do not tighten the screws but allow a 1/16" gap between the head of the screw and the material to which the screw is fastened. Slide the vertical trim pieces into position, guiding the screw into the slots of the trim and tighten screws. Note: The T-slots in the trim allows for vertical and horizontal adjustments.



STEP #6

The upper and lower door trim are installed by a tight fit over the upper and lower horizontal door rails.

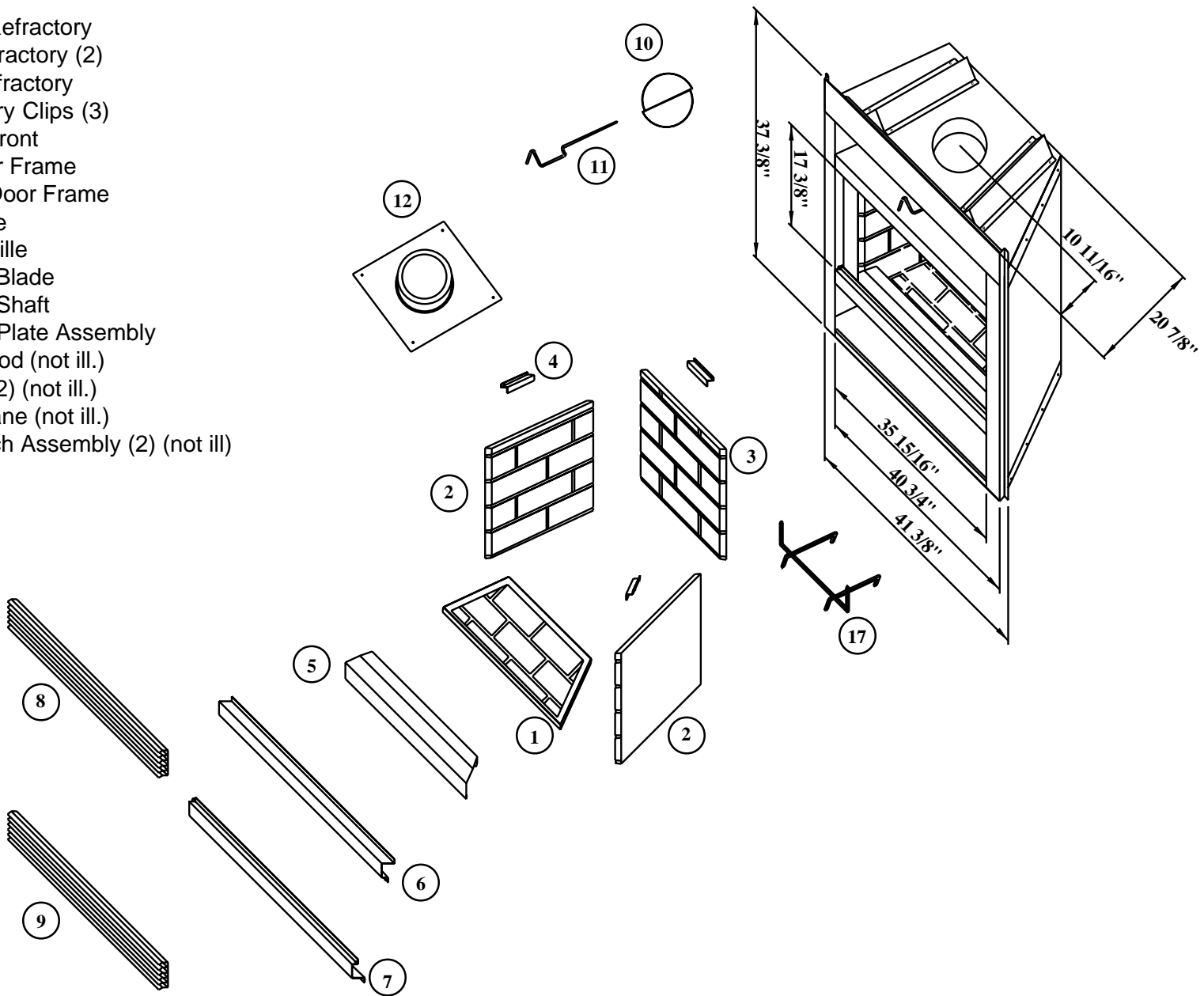


STEP #7

Re-install the top and lower grilles.

REPLACEMENT PARTS LIST

- 1. Hearth Refractory
- 2. Side Refractory (2)
- 3. Rear Refractory
- 4. Refractory Clips (3)
- 5. Hearth Front
- 6. Top Door Frame
- 7. Bottom Door Frame
- 8. Top Grille
- 9. Bottom Grille
- 10. Damper Blade
- 11. Damper Shaft
- 12. Adapter Plate Assembly
- 13. Screen Rod (not ill.)
- 14. Screen (2) (not ill.)
- 15. Glass Pane (not ill.)
- 16. Door latch Assembly (2) (not ill)
- 17. Grate



ZERO CLEARANCE WOODBURNING FIREPLACE MODEL 640 / ZC40 LIMITED LIFETIME WARRANTY

SELKIRK CANADIAN OPERATIONS, (“WE”, “US”, “OUR”) EXTENDS THE FOLLOWING WARRANTY ON THE MODEL 640 / ZC40 FIREPLACE, SUBJECT TO THE CONDITIONS OUTLINED BELOW.

LIMITED LIFETIME WARRANTY:

Selkirk Canadian Operations, (“WE”, “US”, “OUR”) warrants that each fireplace to be free from defects in material and workmanship under normal use and service for as long as the original consumer owns the system. For products installed after August 1, 2001, for a period of Ten (10) years from original installation, we will provide replacement product with a similar or like quality of available product, **free of charge** excluding any installation costs. From the Eleventh (11) through the Fifteenth (15) years we will provide replacement product to the original consumer at a cost of 75% off the published Retail Price in effect on the date the claim is received excluding any installation costs. At expiration of the Fifteen (15) year term, we will provide replacement product to the original consumer at a cost of 50% off the published Retail Price in effect on the date the claim is received excluding any installation costs.

LIMITATIONS:

Refractories

- Please inspect these pieces upon receipt of your fireplace and place a claim with the carrier if shipping damage has occurred. The SIDE, BACK and HEARTH REFRACTORIES are covered under full warranty for the first 2 years of service from date of installation.

Glass Doors, Firescreen, Wood Grate, Trim Kits and Motor for Blower Kit

- The glass in the doors will lose some of its temper over time depending upon frequency of use. The OPTIONAL GLASS DOORS, the FIRESCREEN, WOOD GRATE AND TRIM KITS are warranted for a period of 1 year from date of purchase against failure sustained in normal usage.

- The MOTOR for the blower kit is warranted for a period of 1 year from date of purchase against failure sustained in normal usage.

WARNING: FAILURE TO INSTALL PRODUCTS ACCORDING TO THE MANUFACTURER’S INSTRUCTIONS WILL VOID ALL APPLICABLE WARRANTIES AND MAY RESULT IN FIRE, CARBON MONOXIDE POISONING OR DEATH.

THIS LIMITED WARRANTY DOES NOT COVER:

- (a) costs (labor or otherwise) associated with either removing a previously installed product, installing a replacement product, transportation or return of a product, or transportation of replacement product;
- (b) damage to the finish of products caused by the use of improper solvents/chemicals or improper cleaning methods;
- (c) damage resulting from failure to reasonably clean, care for or maintain products in accordance with our installation instructions/recommendations;
- (d) damage (to products, appliances or structure) based on or resulting from improper installation or repair, misuse or abuse (including, but not limited to, excessive or improper operating condition), or alteration or adjustment other than in conformity with our installation instructions and specifications, whether performed by a contractor, service company, technician, or yourself;
- (e) any products that have been moved from their original installation site.
- (f) damage caused by burning fuel other than that which is specified in the installation instructions, or misapplication of the installed venting system.
- (g) damage that results from accidents such as fire, flood, high winds, “acts of God”, or any other contingency beyond our control.

CLAIM PROCEDURE:

If you believe that a product is defective, notify us in writing at the following location:

SELKIRK CANADIAN OPERATIONS
P.O. Box 526, Depot 1, Hamilton, Ontario, CANADA, L8L 7X6
ATTN: WARRANTY CLAIMS DEPARTMENT
905-662-6600, 1-800-263-9308
Fax: (905) 662-5352
WWW.SELKIRKCANADA.COM WWW.SUPERVENT.CA

Notification should include a description of the product, model and serial number (if applicable) and a description of the product defect. Upon receipt of a written claim under this limited warranty and a proof of purchase or installation, at our option and in our sole discretion, we will provide replacement product with similar or like quality of available product excluding any installation costs. We reserve the right to inspect or investigate any warranty claims prior to determining whether to provide replacement product. If, as determined by us that repair or replacement of the product is not commercially practicable or cannot be completed in a timely manner, we may refund the prorated purchase price paid for the product upon verification by providing a copy of your invoice or receipt of bill of sale.