

CHECK CONDITION OF SHIPMENT

Upon receipt of this kit, check the condition of the packaging. Damage to the package should be noted on the carrier's freight receipt. Any damage claims as a result of shipping must be handled through the shipper. Travis Industries will provide assistance in resolving shipping claims or replacing items not included in the package. Please report any missing items immediately.

COMPATIBILITY

- Lopi Freedom
- Lopi Freedom Bay

ITEMS NEEDED FOR ASSEMBLY

- 5/16" and 3/8" Nutdriver
- Small & Large Standard Screwdriver

PACKING LIST

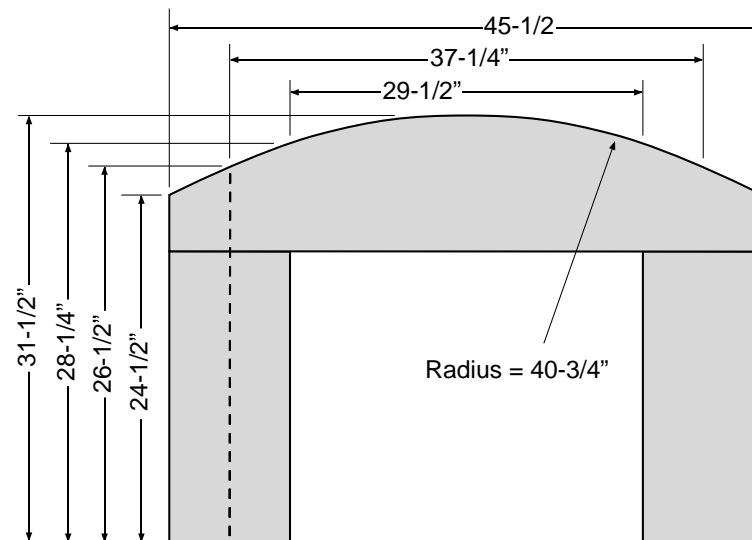
- Top & Side Panels
- Trim (& hardware)
- (7) Spring Clips

NOTE: Mounting Hardware is included with the insert.

PANEL SIZING

Surround Panel Size	Height	Width	Black Trim #
8"	29 1/2"	45 3/8"	99300293
10"	31 1/2"	49 3/8"	99300294
12"	33 1/2"	53 3/8"	99300295

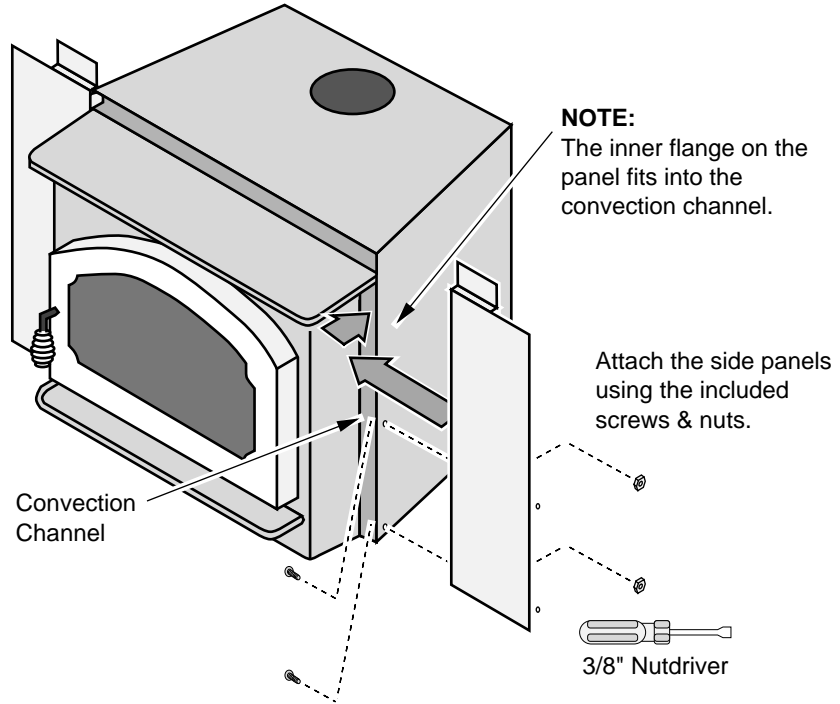
Arched Panels (Part # 99300296)



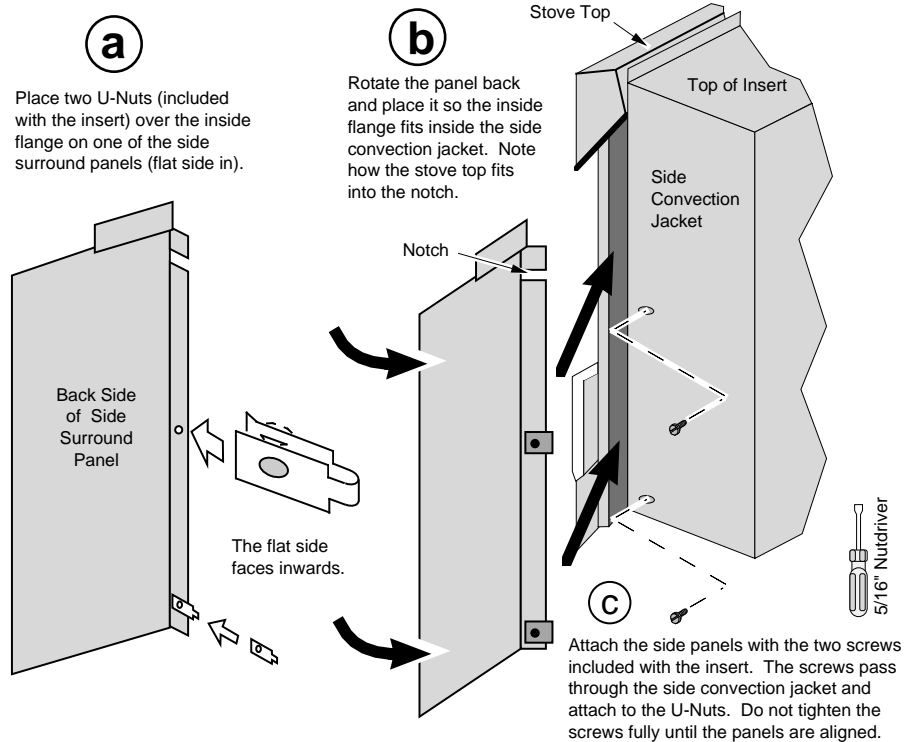
INSTALLATION INSTRUCTIONS

1. Position the insert approximately 12" from the fireplace.
2. Install the side surround panels (see the directions below).

Freedom



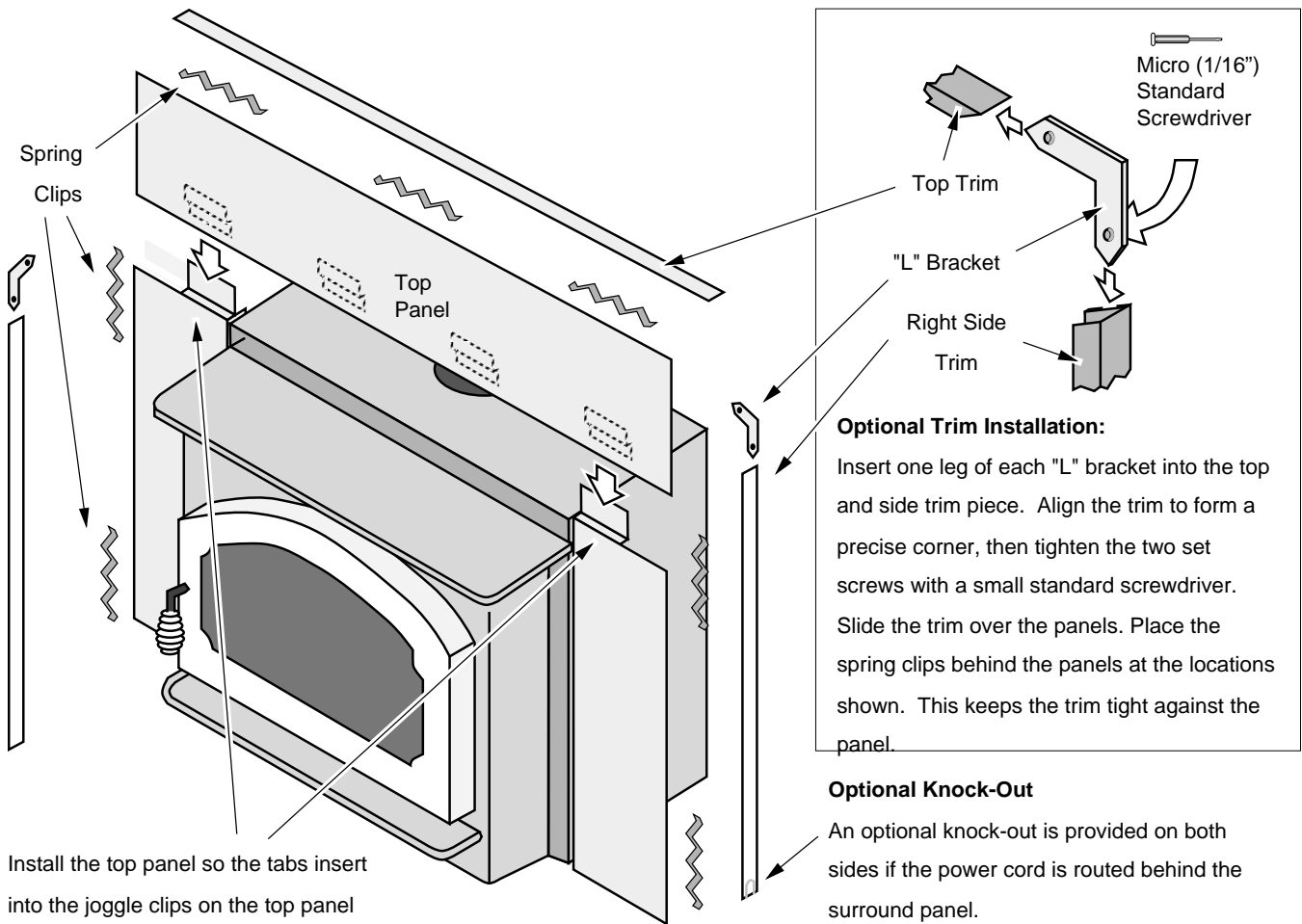
Freedom Bay



3. Adjust the position of the side panels so they are: 1) flush with the bottom of the insert; 2) both the same distance back from the front of the insert; 3) perpendicular to the floor (use the top panel, if necessary, to judge alignment). The Freedom may require slight adjustment of the mounting angle. Tighten the screws that hold the side panels in place.

Panel Set, Freedom & Freedom Bay - 2003 (see part #'s below)

4. Place the insert into the fireplace and connect the flue (if using a positive or direct connection). Install the top panel and trim following the directions below.



Insulation Installation (required only for face seal installations)

1. With the insert drawn 6" from the fireplace, glue the insulation strip included with the surround panel kit to the back of the panels using RTV silicon or stove gasket cement. The insulation should be installed so it overlaps the fireplace opening to form a seal between the panels and the fireplace face. Let the silicon or cement dry.
2. Push the insert into the fireplace, allowing the insulation to form a seal between the panels and the fireplace. Use a screwdriver to tuck any exposed insulation behind the panels.