

Field constructed hearth extensions should be constructed in accordance with the instructions in Figure 19. The field constructed hearth extension must be constructed from ½" MICORE CV230, or a material with an equivalent insulation value.

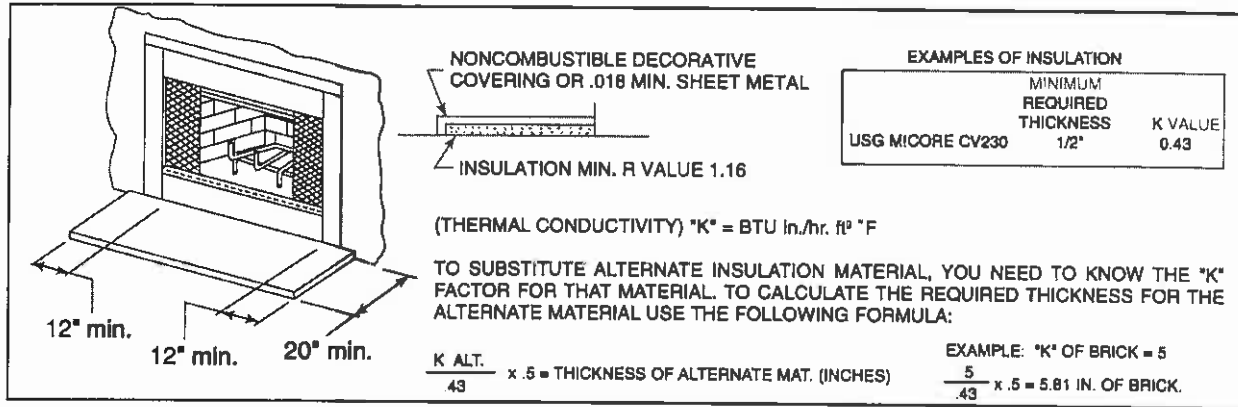


Figure 19 - Field Constructed Hearth Extension

### 18. Position the Hearth Extension

Position and secure the hearth extension over the protective metal strips that have been placed partially under the fireplace front. These strips should be protruding approximately 2" from under the fireplace front and 2" on both sides of the fireplace opening. Seal the crack between the hearth extension and fireplace with a bead of noncombustible sealant. See Figure 20. Apply a noncombustible finishing material of your choice to the hearth extension.

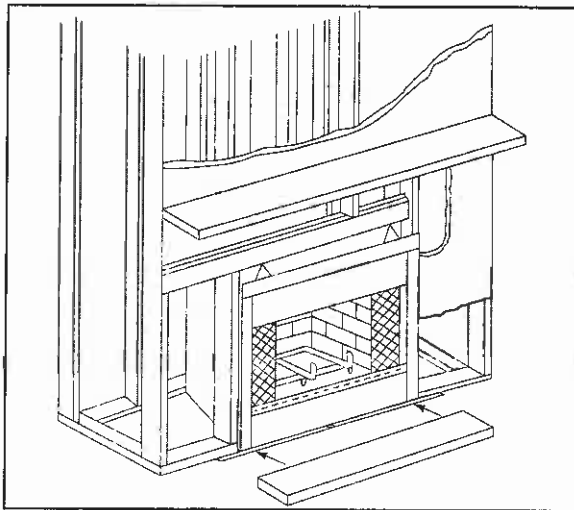


Figure 20 - Position the Hearth Extension

### 19. Finishing Material

Do not install combustible materials over the black face of the fireplace! This poses a safety hazard and may start a fire. You may only use noncombustible material over the black face of the fireplace.

**a. Combustible Material**

Material which is made of or surfaced with wood, compressed paper, plant fibers, plastics, or any material capable of igniting and burning, whether flame proofed or not, plastered or unplastered.

**b. Noncombustible Material**

Material which will not ignite and burn. Such materials are those consisting entirely of steel, iron, brick, tile, concrete, slate, glass or plasters, or any combination thereof.

**c. Noncombustible Sealant Material**

Sealants which will not ignite and burn; General Electric RTV103 Black (or equivalent), Rutland, Inc. Fireplace Mortar #63 (or equivalent).

After completing the framing and applying the facing material (dry wall) over the framing, a ½" wide (maximum) bead of noncombustible sealant must be used to close off any gaps at the top and sides between the fireplace and facing to prevent cold air leaks.

Only noncombustible materials may be used to cover the black metal fireplace front.

### 20. Mantel

A combustible mantel may be positioned no lower than 12" above the top of the fireplace opening. The combustible mantel may have a maximum depth of 12". Combustible trim pieces that project no more than 1½" from the face of the fireplace can be placed no closer than 6" from the top and side of the fireplace opening. Combustible trim must not cover the black metal surfaces of the fireplace. This mantel clearance is in accordance with *Section 7-3.3.3 of ANSI/NFPA211.*

### 21. Glass Doors

This fireplace has been tested and listed for use with doors as specified in Section C, "Fireplace System Components". Please refer to the manual packed with each set of doors for installation instructions.

The first name in fireplaces

## G. CONSTRUCTING A CHASE

A chase is a vertical boxlike enclosure built around the chimney and fireplace. A chase may be constructed for the fireplace and chimney or for the chimney only. It is most commonly constructed on an outside wall.

In cold climates, it is recommended that the chase floor be insulated using batt type insulation between the floor joists.

Three examples of chase applications are shown in Figure 21.

1. Fireplace and chimney enclosed in an exterior chase.
2. Chimney offset through exterior wall and enclosed in chase.
3. Chase constructed on roof.

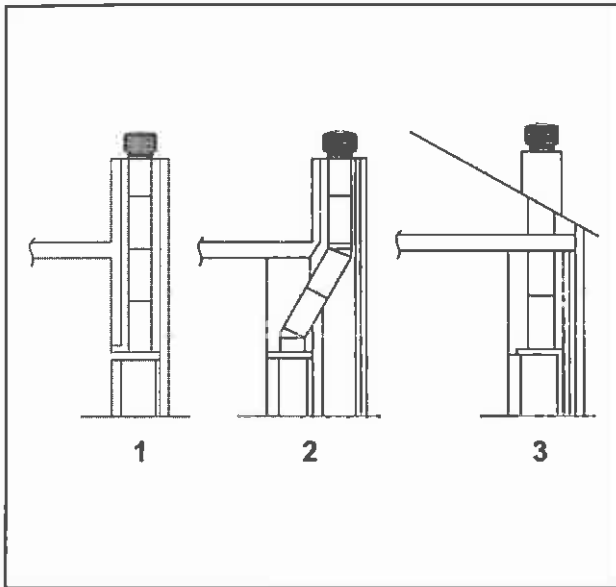


Figure 21 - Chase Constructions

### 1. Materials

- a. The chase is constructed using framing materials much the same as the walls in your home. A variety of materials may be used including brick, stone, veneer brick, or standard siding materials.

- b. In constructing the chase, several factors must be considered:

- 1) Maintain a 2" air space around the chimney.
- 2) The chase top must be constructed of noncombustible material.
- 3) In cold climates, a firestop spacer should be installed in an insulated false ceiling at the 8' level above the fireplace assembly. This reduces heat loss through the chase.
- 4) In cold climates, the walls of the chase should be insulated to the level of the false ceiling as shown in Figure 22. This will help reduce heat loss from the home around the fireplace.

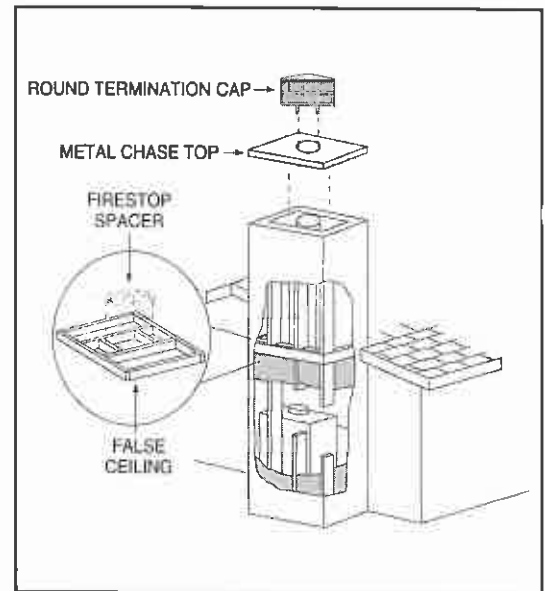


Figure 22 - Chase Assembly

**2. Chase Top**

Construct a chase of desired materials maintaining a minimum 2" air space around the chimney.

**3. Termination Cap**

- a. Install the chimney sections up through the chase enclosure. When using a TR11 round termination cap, the uppermost top section of pipe must extend 6" above the top of the chase collar to allow installation of the storm collar and termination cap. See Figure 23.
- b. For installations utilizing a TR11T telescoping round termination cap, the uppermost chimney section must be below the top of the chase top, but not more than 14½" below the top of the chase top flashing collar. See Figure 24.
- c. For installations utilizing an ST1175 square termination cap the last chimney section must not be more than 4½" below the chase top. See Figure 25.
- d. Attach the chase top to the top of the chase.
- e. Install the termination cap, following the instructions provided with it.

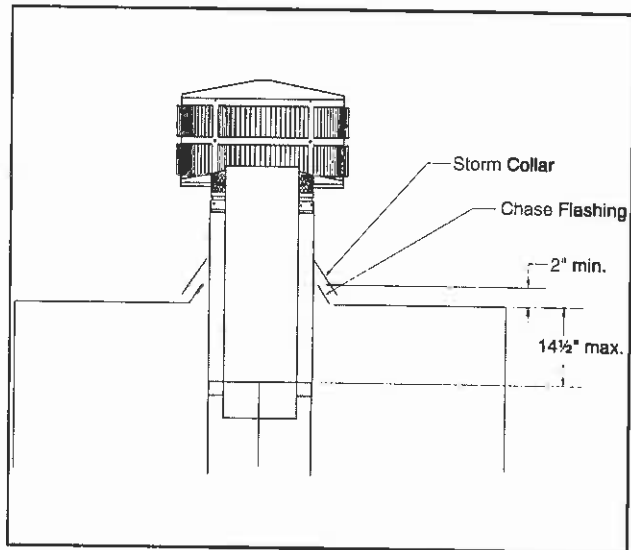


Figure 24 - Installing a TR11T Round Telescoping Termination Cap

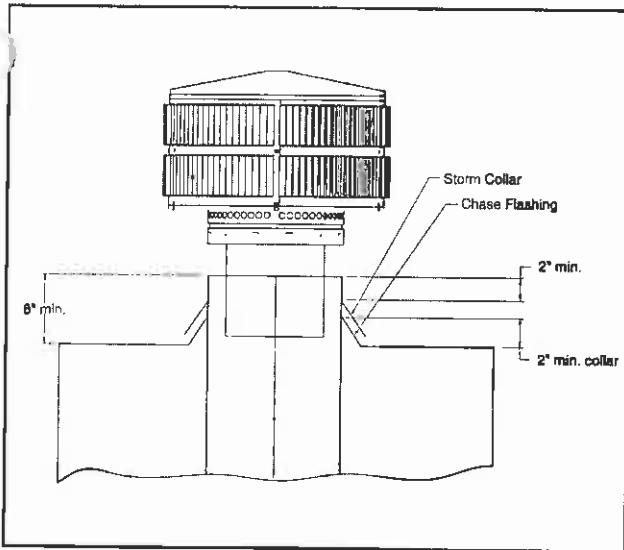


Figure 23 - Installing a TR11 Round Termination Cap

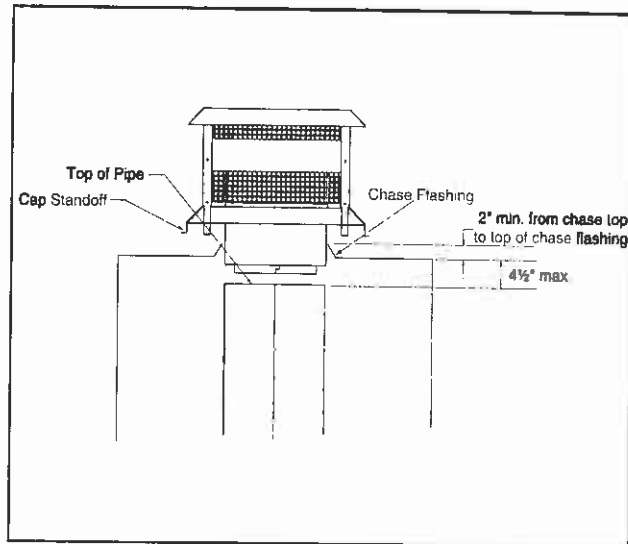


Figure 25 - Installing an ST1175 Square Termination Cap

**WARNING!**

Never install a single wall slip section or smoke-pipe in a chase structure. The higher temperature of this single wall pipe may radiate sufficient heat to combustible chase materials to cause a fire.

**WARNING!**

Detailed instructions for installation of the chase top, storm collar and termination cap are packaged with these parts. To avoid danger of fire, all instructions must be strictly followed, including the provision of air space clearance between chimney system and enclosure. To protect against the effects of corrosion on those parts exposed to the weather, we recommend that the chase top and termination cap be painted with a rust-resistant paint.

The first name in fireplaces

## I. MAINTENANCE INSTRUCTIONS

### 1. Disposal of Ashes

Ashes should be placed in a metal container with a tight-fitting lid. The closed container of ashes should be placed on a noncombustible floor or on the ground, well away from all combustible materials, pending final disposal. If the ashes are disposed of by burial in soil or otherwise locally dispersed, they should be retained in the closed container until all embers have thoroughly cooled.

### 2. Creosote and Soot

Inspect the chimney internally for obstructions and construction damage. Flue pipe joints and seams must be continuous and mechanical tight. In a used chimney, additional inspection is needed for creosote buildup, which is the formation of a flammable sediment.

When wood is burned slowly, it produces tar and other organic vapors, which combine with expelled moisture to form creosote. The creosote vapors condense in the relatively cool chimney flue of a slow-burning fire. As a result, creosote residue accumulates on the flue lining. When ignited, this creosote makes an extremely hot fire.

The chimney should be inspected at least twice a year during the heating season to determine if creosote buildup has occurred.

If creosote has accumulated, it should be removed to reduce the risk of a chimney fire.

### 3. Chimney Cleaning

If you do detect a buildup of creosote, contact a qualified chimney sweep or clean it yourself. To do this, perform the following steps:

- Open the damper.
- Hang a damp sheet across the fireplace opening to stop dirt and soot from entering the room.
- Remove the termination cap or housing top.
- Clean with a stiff nylon brush attached to a pole OR tie a small burlap bag filled with straw and several small stones or sand. Work up and down the flue until the flue is clean.
- Replace the termination cap or housing top.



### 4. Clear Space Near the Fireplace

Combustible materials must not be stored on the hearth extension. Room furnishings such as drapes, curtains, chairs, or other combustibles must be at least four feet from the open front of the fireplace.

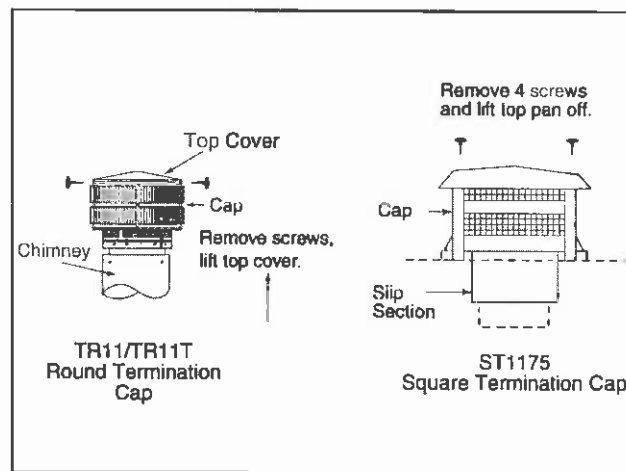


Figure 28  
Chimney Cleaning & Termination Caps

Index

- A**
- Air Clearance 15, 17
  - Air Kit Handle Location 16
  - Ashes, Disposal of 26
  - Attic Insulation Shield 15
- B**
- Building Codes 2, 4
- C**
- Chase 20
  - Chase Top 8, 21
  - Chimney
    - Assembling Sections Through the Roof 16
    - Checking the Assembly 15
    - Cleaning 26
    - Creosote 26
    - Exit Point Through the Roof 16
    - Height Requirements 12
    - Inspection 2
    - Requirements 11
    - Securing the System 15
  - Chimney Air Kit 8, 16
  - Chimney Bracket 7
  - Chimney Requirements 11
  - Chimney Sections
    - Assembling 14
    - Number Required 12
  - Chimney Stabilizer 7
  - Combustible
    - Material 18
  - Combustible Material 19
  - Combustion Air 2
  - Components 5
  - Construction 17, 18, 21
  - Creosote 26
- D**
- Damper 2
  - Description of the Fireplace System 4
  - Dimensions 5
  - Draft 24
- E**
- Exhaust Products 9
- F**
- Fireplace
    - Enclosure 17
    - Locations 9
  - Firescreen 23
  - Firestop Spacer 7
    - Installation 14
  - Firewood 23
  - Flue 22
  - Framing 10
  - Fuel 2, 23
- G**
- Gas Log/Lighter Provisions 17
  - General Information 22
  - Glass Doors 5, 19
  - Grate 23
- H**
- Hearth Extension 18
    - Positioning 19
- I**
- Installation
    - Fireplace 13
  - Insulation Shield 7, 15
- J**
- Joint Band 7
- L**
- Leveling the Fireplace 13
  - Locations 9
- M**
- Maintenance 26
  - Mantel 19
  - Material, Sealant 19
  - Metal Hearth Strips 13
  - Moisture Content of Wood 23
- N**
- Negative Air Pressure 24
  - Noncombustible Material 19
  - Noncombustible Sealant Material 19
- O**
- Offsets>Returns 7, 11
  - Outside Air 22
  - Outside Air Kit 6, 16
  - Overhead Obstructions 11
- P**
- Positioning 13
- R**
- Refractory 5
  - Roof Flashing 7, 16
- S**
- Safety 13
  - Seasoning the Wood 24
  - Shroud 8
  - Sidewalls/Surrounds 10
  - Smoke 9
  - Soot 26
  - Space Requirements 9
  - Standard for Decorative Gas Appliances 17, 22
  - Starting a Fire 24
- T**
- Ten Foot Rule 12
  - Termination Cap 8, 21
  - Typical Fireplace System 4
- U**
- UL 127 Standards 4
  - Uniform Building Code for Roof
    - Framing Details 16
  - Unvented Gas Log Heater 17, 22
- V**
- Ventilation 24
- W**
- Wet Insulation 2
  - Wood
    - Moisture of 23
    - Seasoning of 24
  - Wood Fuel 23

The first name in fireplaces

# heatilator®

*The first name in fireplaces*

## HEATILATOR WOODBURNING FIREPLACE Limited Warranty As part of its 20-YEAR BUYER PROTECTION PROGRAM

AS PART OF ITS 20 YEAR BUYER PROTECTION PROGRAM ("PROGRAM", HEARTH TECHNOLOGIES INC. ("HTI") is pleased to offer a Limited Warranty and a Replacement Parts Advantage covering specific components of your Heatilator woodburning fireplace system (the "Fireplace"), installed in the United States of America or Canada. Dealers and employees of HTI have no authority to make any warranty or authorize any remedies in addition to or inconsistent with the terms of this Program.

### Limited Warranty.

HTI warrants the following components of your Heatilator woodburning fireplace to be free from original defects in material and workmanship during the applicable periods described: five years for the firebox assembly, chimney system and roof termination; two years for refractory firebox liners; and one year for the grate, wire mesh screens, fan system, outside air system, and glass doors. All limited warranty periods run from the date of initial installation of your Fireplace (the "Installation Date"). The Limited Warranty is subject to the conditions, exclusions and limitations of liability listed below.

### Replacement Parts Advantage.

Under HTI's Replacement Parts Advantage, for a period of twenty years from your Installation Date of your Fireplace, if available, HTI will provide you with repair or replacement parts for defective components which are no longer under their applicable Limited Warranty, at 50% of the then current retail list price for such components. HTI shall have no responsibility for freight and labor charges related to such parts.

### Conditions, Exclusions, & Limitations of Liability

- A. Both the Limited Warranty and Replacement Parts Advantage supplied by HTI apply only while the Fireplace is in its location of original installation. HTI's obligation under this warranty does not extend to damages resulting from (1) installation, operation or maintenance of the Fireplace not in accordance with the Installation Instructions, Operating Instructions, and the Listing Agent Identification Label furnished with the Appliance; (2) installation which does not comply with local building codes; (3) shipping, improper handling, improper operation, abuse, misuse, accident or unworkmanlike repairs; (4) environmental conditions, inadequate ventilation or drafting caused by tight sealing construction of the structure, air handling devices such as exhaust fans or forced air furnaces, or other causes; (5) use of fuels other than those specified in the Operating Instructions; (6) installation or use of components not supplied with the Fireplace or any other components not expressly authorized and approved by HTI; and/or (7) modification of the Fireplace not expressly authorized and approved by HTI in writing. This warranty is limited to only the component parts manufactured or supplied by HTI.
- B. During the first year of the Limited Warranty, HTI will, at its sole option, repair or replace any covered defective component and will provide replacement parts at no charge. And will pay reasonable labor and freight costs. During the second through the fifth years of the Limited Warranty (if applicable), HTI will provide replacement parts free of charge for any covered defective component, but will not pay for freight or labor costs related to the shipment of the parts or the actual repair or replacement. After the fifth anniversary of the Installation date, HTI's sole obligation and your exclusive remedy is set forth in HTI's Replacement Parts Advantage described above. In no event shall HTI be liable for any incidental or consequential damages caused by defects in your Fireplace.
- C. EXCEPT TO THE EXTENT PROVIDED BY LAW, HTI MAKES NO EXPRESS WARRANTIES OTHER THAN THE WARRANTY SPECIFIED HEREIN. THE DURATION OF ANY IMPLIED WARRANTY IS LIMITED TO DURATION OF THE WARRANTY SPECIFIED ABOVE.
- D. Some states do not allow exclusions or limitations of incidental or consequential damages, so those limitations may not apply to you. This warranty gives you specific rights; you may also have other rights which vary from state to state.

### How to Obtain Service.

To obtain service under this warranty you must:

1. Send written notice of the claimed condition to Heatilator Technical Service Department, Hearth Technologies Inc., 1915 W. Saunders Street, Mt. Pleasant, Iowa 52641-1563. You may also register your claim online at [www.heatilator.com/contact.asp](http://www.heatilator.com/contact.asp).
2. Provide proof of purchase, model number, serial number, and manufacturing date code to HTI.
3. Provide HTI reasonable opportunity to investigate the claim, including reasonable opportunity to inspect the Appliance prior to any repair or replacement work and before the Appliance or any component of the Appliance has been removed from the place of original installation.
4. Obtain HTI's consent to any warranty work before the work is done.

**ADDITIONAL INFORMATION.** If you would like information on current HEATILATOR products or want to locate a dealer in your area, call 1-800-843-2848.

©2001 Heatilator® is a Registered Trademark of Hearth Technologies Inc.